

Actuator

02-
614.011



<https://eao.com/p/02-614.011>

Your product:



02-614.011 Actuator

FRONT

Front form: rectangular

Front bezel colour: Black

Front bezel material: Plastic

MOUNTING

Design: flush

Mounting cut-out: 21.2 mm x 29.2 mm

Mounting type: Panel mounting

OPERATING-/INDICATION PART

Lens illumination: non illuminative

ELECTRICAL CHARACTERISTICS

Contacts:	2 C						
Switching voltage and switching current:	<p>according to UL 250 VAC, 10 A</p> <p>according to IEC 60947-5-1</p> <table> <tr> <td>AC-12: 400 V, 10 A</td> <td>AC-15: 400 V, 6 A</td> </tr> <tr> <td>AC-15: 250 V, 8 A</td> <td>DC-13: 110 V, 0.4 A</td> </tr> <tr> <td>DC-13: 60 V, 1 A</td> <td>DC-13: 24 V, 3 A</td> </tr> </table>	AC-12: 400 V, 10 A	AC-15: 400 V, 6 A	AC-15: 250 V, 8 A	DC-13: 110 V, 0.4 A	DC-13: 60 V, 1 A	DC-13: 24 V, 3 A
AC-12: 400 V, 10 A	AC-15: 400 V, 6 A						
AC-15: 250 V, 8 A	DC-13: 110 V, 0.4 A						
DC-13: 60 V, 1 A	DC-13: 24 V, 3 A						
Rated insulation voltage Ui:	400 VAC/440 VDC according to IEC 60947-5-1						
Switching rating:	400 V @ 10 A						
Electric strength:	2500 VAC, 50 Hz, 1 minute, as per IEC 60947-5-1 between all terminals and earth						
Standards:	The switches comply with the "Standards for low-voltage switching devices" EN IEC 60947-5-1						
Thermal current Ith:	10 A						

MECHANICAL CHARACTERISTIC

Terminal:	Screw terminal
Contact material:	Silver
Switching action:	Maintained
Switching system:	Snap-action switching element
Switching system:	1 or 2 self-cleaning snap action switching elements. 1 or 2 double-throw contacts.
Mechanical lifetime:	1 Mio. cycles of operation
Operating force:	6 ... 12 N
Operating Travel:	ca. 5 mm
Tightening torque:	Fixing nut max. 0.2 Nm, Screw terminal 0.8 Nm
Weight:	0.05 kg

AMBIENT CONDITION

IP Protection:	IP40 front side, IP65 with spray cover, according to IEC 60529
Operating temperature:	- 25 °C ... + 55 °C, mounted as a block, make sure the heat can escape freely
Storage temperature:	- 30 °C ... + 85 °C
Shock resistance:	15 g for 11 ms, according to IEC 60068-2-27
Vibration resistance:	10 g at 10 Hz...2000 Hz, amplitude 1.0 mm, according to IEC 60068-2-6

CERTIFICATE

Approbations:

CB (IEC 60947-5-1), CENELEC CCA-NTR (EN 60947-5-1), CSA, DNV, SEV, UL

Conformities: CE, UKCA, 2011 / 65 / EC (RoHS), 2014 / 35 / EU (LVD)

REACH: REACH compliant

RoHS: RoHS compliant

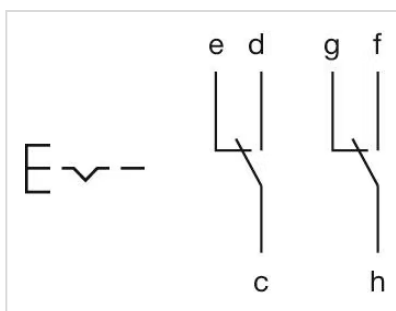
OTHER

Short Description: Actuator, 21.2 mm x 29.2 mm, non illuminative, rectangular, Black, Plastic, 2 C, Maintained, Screw terminal

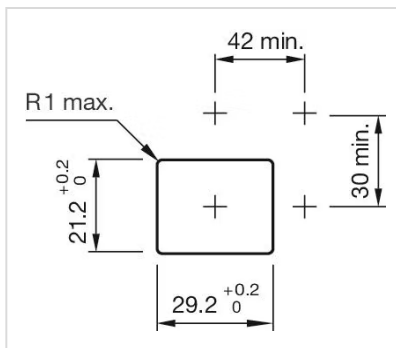
Housing colour: Black

Housing material: Plastic

Wiring diagrams:



Mounting cut-outs:



Dimension drawings:

