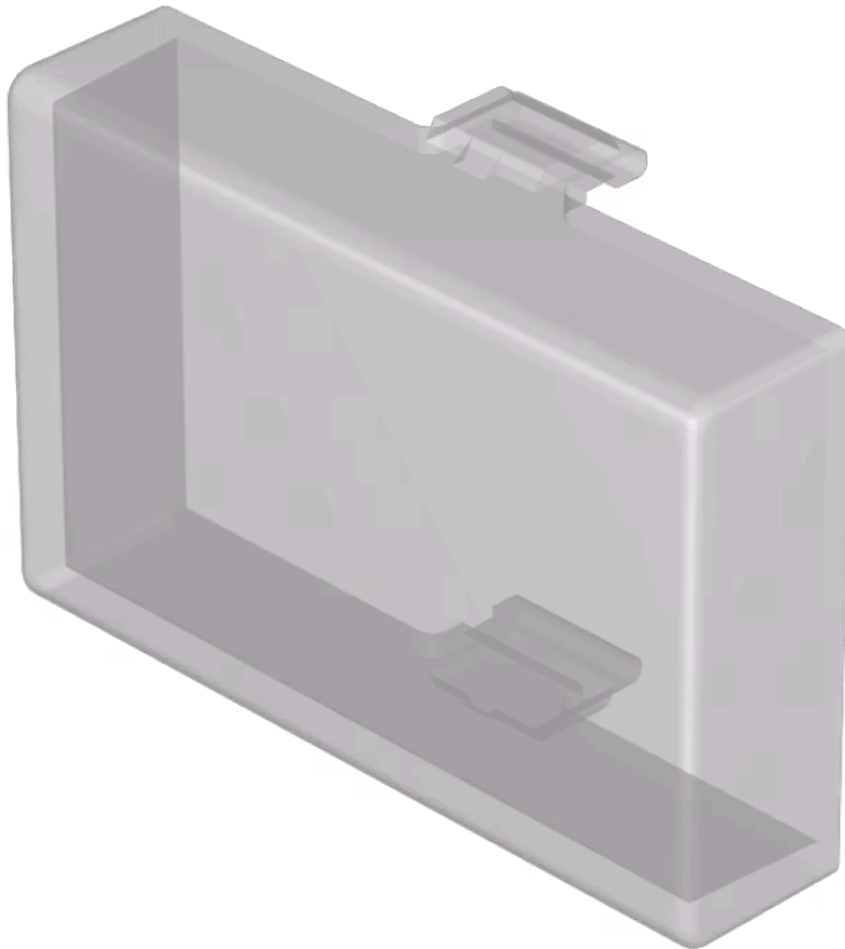


Hold-down unit

02-908.9



<https://www.eao.com/component/02-908.9/en/hol...>

Your product:



02-908.9 Hold-down unit

PRODUCT RANGE

Product Status: Not Recommended for new design

FRONT

Colour: White

ELECTRICAL CHARACTERISTICS

Forward voltage:

MECHANICAL CHARACTERISTICS

Weight: 0.001 kg

OTHER

Short Description: Hold-down unit, Plastic, translucent, White

Titel Accessory: Hold-down unit

Material: Plastic

Hints: For lens with film insert

Optics: translucent