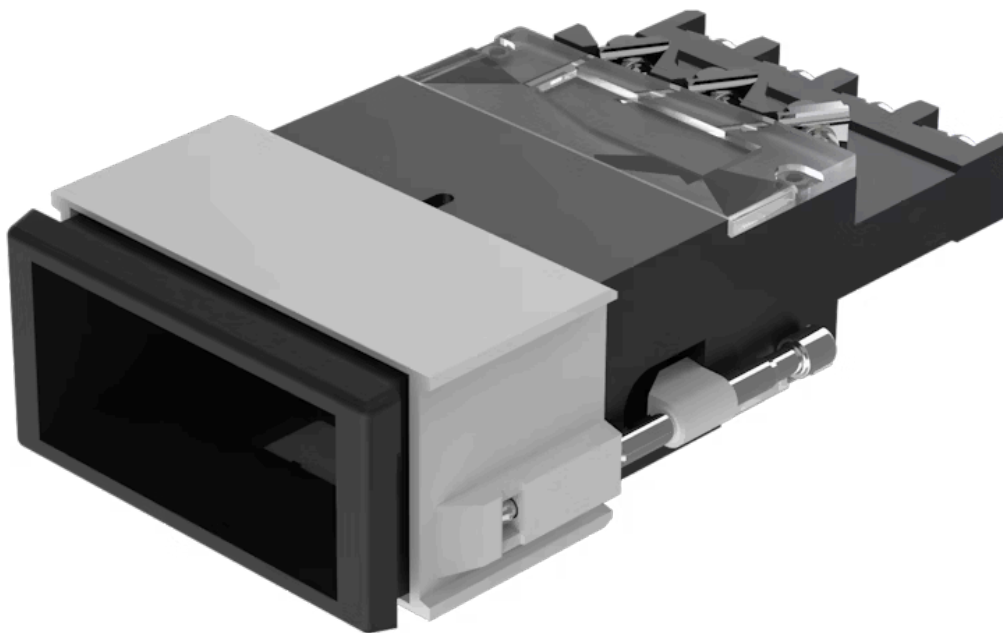


# Actuator

03-  
626.011



<https://eao.com/p/03-626.011>

Your product:

---



## 03-626.011 Actuator

### FRONT

**Front form:** rectangular

**Front bezel colour:** Black

**Front bezel material:** Plastic

### MOUNTING

**Design:** flush

**Mounting cut-out:** 21.2 mm x 41.2 mm

**Mounting type:** Panel mounting

### OPERATING-/INDICATION PART

**Lens illumination:** illuminative

### ELECTRICAL CHARACTERISTICS

<b>Contacts:</b>	2 C						
<b>Switching voltage and switching current:</b>	<p>according to UL 250 VAC, 10 A</p> <p>according to IEC 60947-5-1</p> <table> <tr> <td>AC-12: 400 V, 10 A</td> <td>AC-15: 400 V, 6 A</td> </tr> <tr> <td>AC-15: 250 V, 8 A</td> <td>DC-13: 110 V, 0.4 A</td> </tr> <tr> <td>DC-13: 60 V, 1 A</td> <td>DC-13: 24 V, 3 A</td> </tr> </table>	AC-12: 400 V, 10 A	AC-15: 400 V, 6 A	AC-15: 250 V, 8 A	DC-13: 110 V, 0.4 A	DC-13: 60 V, 1 A	DC-13: 24 V, 3 A
AC-12: 400 V, 10 A	AC-15: 400 V, 6 A						
AC-15: 250 V, 8 A	DC-13: 110 V, 0.4 A						
DC-13: 60 V, 1 A	DC-13: 24 V, 3 A						
<b>Rated insulation voltage Ui:</b>	400 VAC/440 VDC according to IEC 60947-5-1						
<b>Switching rating:</b>	400 V @ 10 A						
<b>Electric strength:</b>	2500 VAC, 50 Hz, 1 minute, as per IEC 60947-5-1 between all terminals and earth						
<b>Standards:</b>	The switches comply with the "Standards for low-voltage switching devices" EN IEC 60947-5-1						
<b>Thermal current Ith:</b>	10 A						

### MECHANICAL CHARACTERISTIC

<b>Terminal:</b>	Screw terminal
<b>Contact material:</b>	Silver
<b>Switching action:</b>	Momentary / maintained
<b>Switching system:</b>	Snap-action switching element
<b>Switching system:</b>	1 or 2 self-cleaning snap action switching elements. 1 or 2 double-throw contacts.
<b>Mechanical lifetime:</b>	1 Mio. cycles of operation
<b>Operating force:</b>	6 ... 12 N
<b>Operating Travel:</b>	ca. 5 mm
<b>Tightening torque:</b>	Fixing sleeve max. 0.2 Nm, Screw terminal 0.8 Nm
<b>Weight:</b>	0.08 kg

### AMBIENT CONDITION

<b>IP Protection:</b>	IP40 front side, IP65 with spray cover, according to IEC 60529
<b>Operating temperature:</b>	- 25 °C ... + 55 °C, mounted as a block, make sure the heat can escape freely
<b>Storage temperature:</b>	- 30 °C ... + 85 °C
<b>Shock resistance:</b>	15 g for 11 ms, according to IEC 60068-2-27
<b>Vibration resistance:</b>	10 g at 10 Hz...2000 Hz, amplitude 1.0 mm, according to IEC 60068-2-6

### CERTIFICATE

**Approbations:**

CB (IEC 61058-1), CSA, DNV, UL

**Conformities:**

CE, UKCA, 2011 / 65 / EC (RoHS), 2014 / 35 / EU (LVD)

**REACH:**

REACH compliant

**RoHS:**

RoHS compliant

**OTHER**

**Short Description:**

Actuator, 21.2 mm x 41.2 mm, illuminative, rectangular, Black, Plastic, 2 C, Momentary / maintained, Screw terminal

**Housing colour:**

Black

**Housing material:**

Plastic

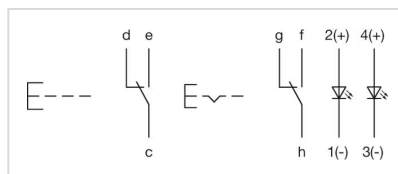
**Product attributes:**

Has two independent lamp bases, has independent changeover

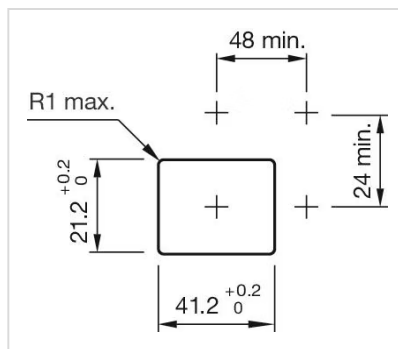
**Hints:**

Has two independent lamp bases, For LED element fitting information see Application guidelines, LED polarity

**Wiring diagrams:**



**Mounting cut-outs:**



**Dimension drawings:**

