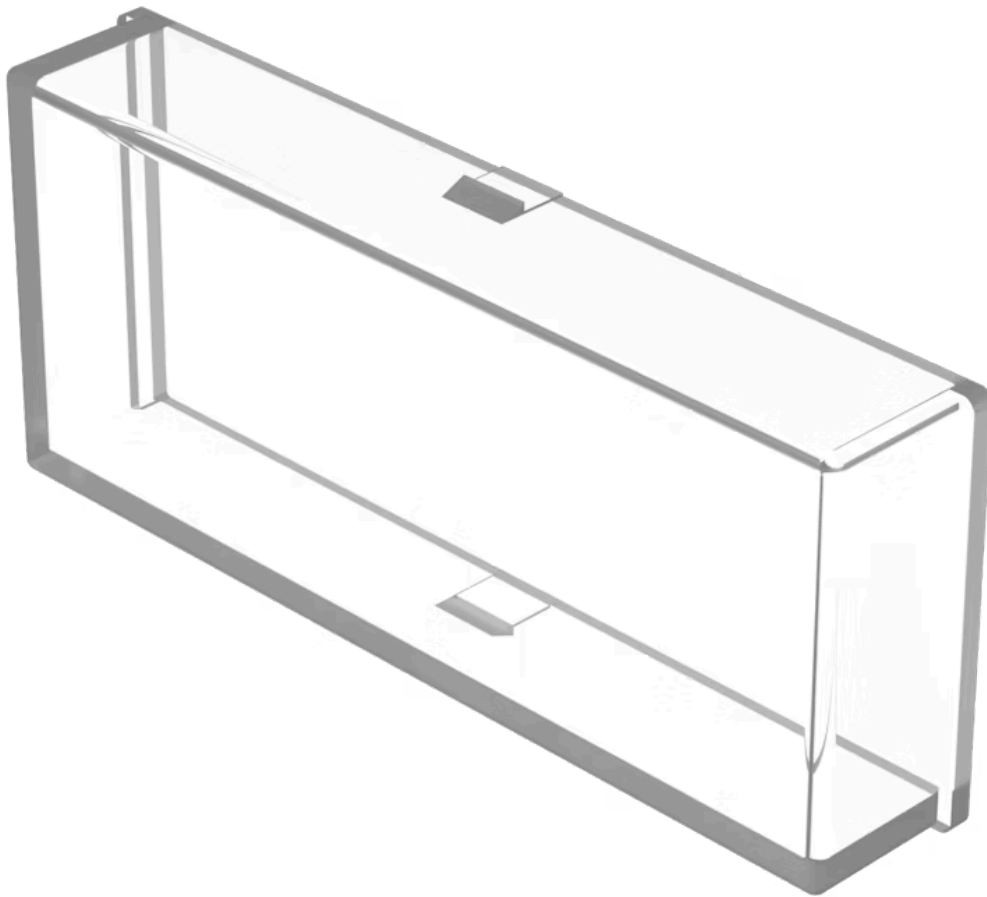


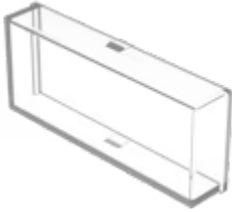
Hold-down unit

03-908.7



<https://www.eao.com/p/03-908.7>

Your product:



03-908.7 Hold-down unit

FRONT

Colour: Colourless

MECHANICAL CHARACTERISTIC

Weight: 0.001 kg

OTHER

Short Description: Hold-down unit, Plastic, transparent, Colourless

Titel Accessory: Hold-down unit

Material: Plastic

Product attributes: For film insert

Optics: transparent