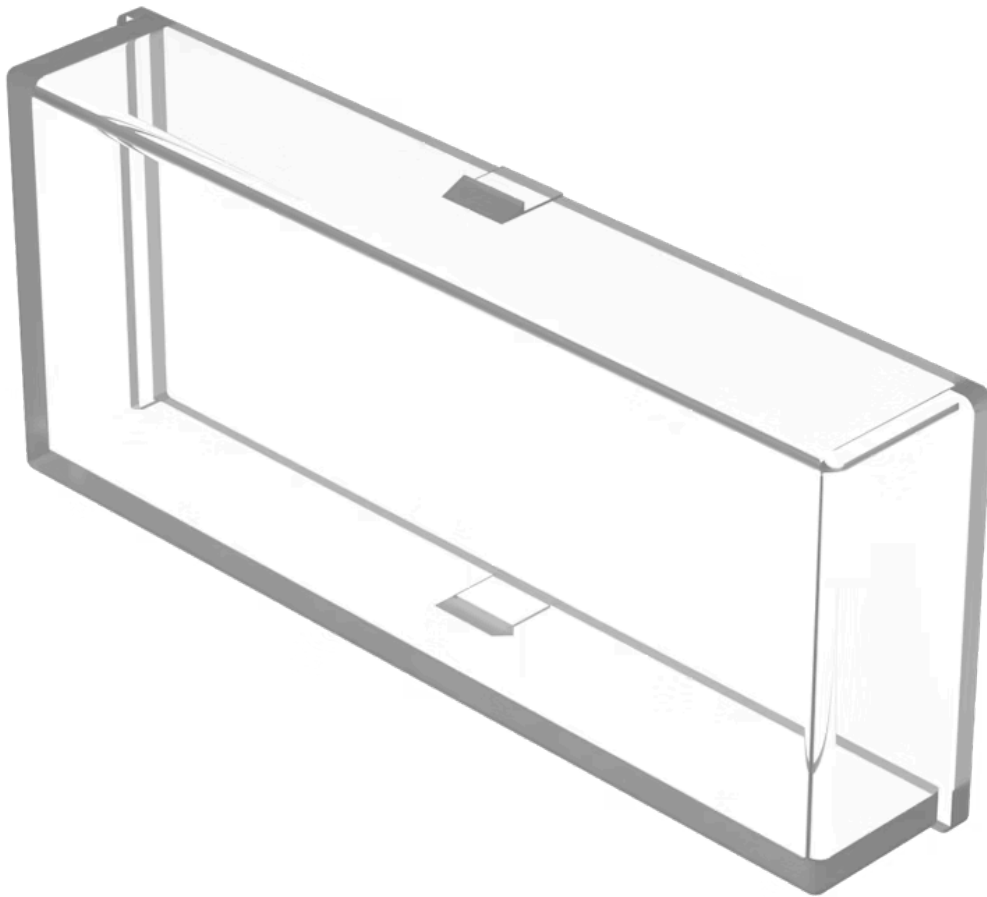


# Hold-down unit

03-908.9



<https://www.eao.com/p/03-908.9>

Your product:

---



## 03-908.9 Hold-down unit

### FRONT

**Colour:** White

### MECHANICAL CHARACTERISTIC

**Weight:** 0.001 kg

### OTHER

**Short Description:** Hold-down unit, Plastic, translucent, White

**Titel Accessory:** Hold-down unit

**Material:** Plastic

**Product attributes:** For film insert

**Optics:** translucent