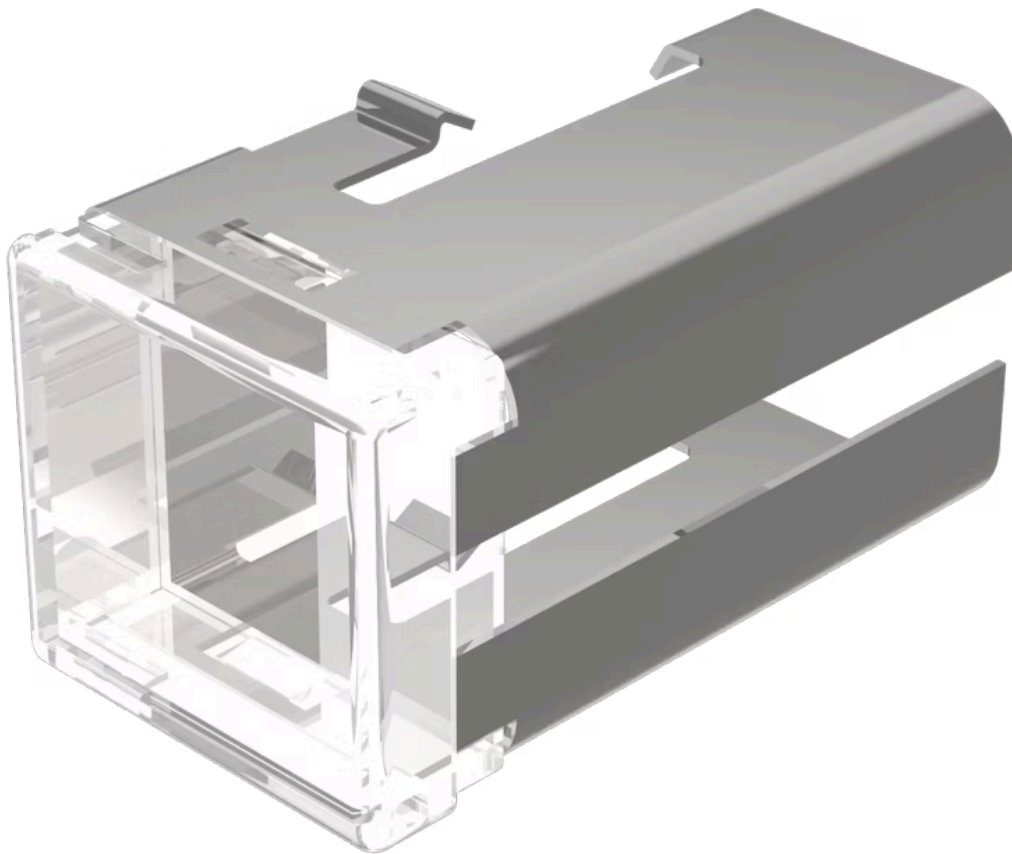


Lens

03-
921.7



<https://www.eao.com/p/03-921.7>

Your product:



03-921.7 Lens

FRONT

Front form: Rectangular

OPERATING-/INDICATION PART

Lens colour: Colourless

Lens material: Plastic

Lens illumination: Illuminated

Lens shape: Flush

Lens optics: translucent

MECHANICAL CHARACTERISTIC

Weight: 0.005 kg

CERTIFICATE

REACH: REACH compliant

RoHS: RoHS compliant

OTHER

Short Description: Lens, 18 mm x 19 mm, Illuminated, Colourless, Flush, Plastic

Dimension: 18 mm x 19 mm

Product attributes: Not recommended for film insert

Hints: Order two lenses