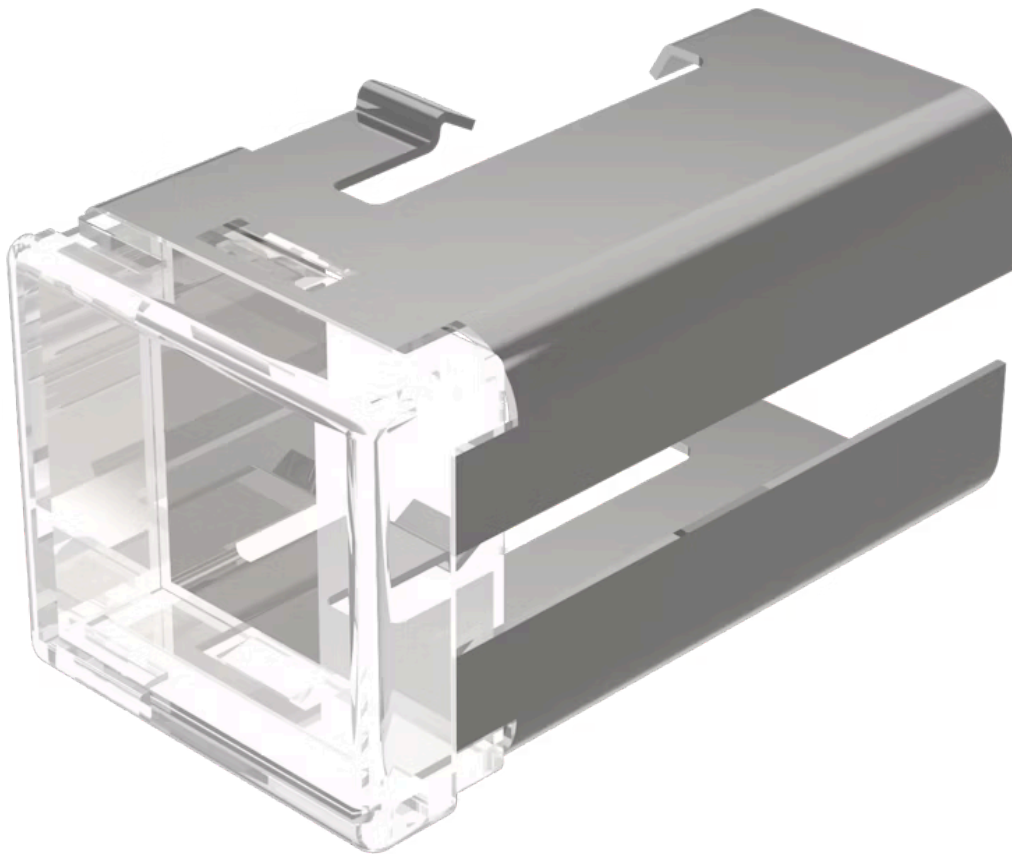


# Lens

03-  
943.7



<https://www.eao.com/p/03-943.7>

Your product:

---



## 03-943.7 Lens

### FRONT

**Front form:** Rectangular

### OPERATING-/INDICATION PART

**Lens colour:** Colourless

**Lens material:** Plastic

**Lens illumination:** Illuminated

**Lens shape:** Flush

**Lens optics:** transparent

### MECHANICAL CHARACTERISTIC

**Weight:** 0.005 kg

### CERTIFICATE

**REACH:** REACH compliant

**RoHS:** RoHS compliant

### OTHER

**Short Description:** Lens, 18 mm x 19 mm, Illuminated, Colourless, Flush, Plastic

**Dimension:** 18 mm x 19 mm

**Product attributes:** Use holder for film insert

**Hints:** Order two lenses