

## Bi-colour LED

10-A312.314A



<https://www.eao.com/p/10-A312.314A>

Your product:

---



## 10-A312.314A Bi-colour LED

### OPERATING-/INDICATION PART

**Illumination colour:** Red / Green

### ELECTRICAL CHARACTERISTICS

**Operating voltage:** 24 V DC +10%

**Operation current:** 15/14 mA  $\pm$ 15 %

**Lumi. Intensity:** 600/630 mcd

### MECHANICAL CHARATERISTIC

**Weight:** 0.001 kg

### CERTIFICATE

**REACH:** REACH compliant

**RoHS:** RoHS compliant

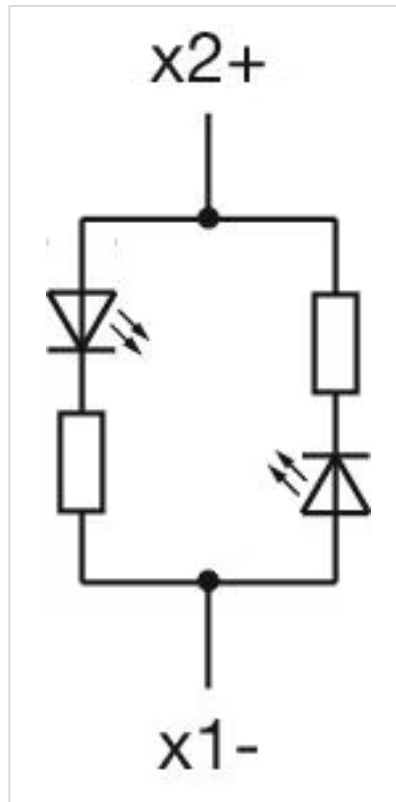
### OTHER

**Short Description:** Bi-colour LED, T1  $\frac{1}{4}$  MG, Red / Green, 24 V DC +10%

**Kind of illumination:** Bi-colour-LED

**Hints:** Due to high surface temperatures, the series resistor must not be soldered directly to the terminals of the equipment (use a terminal plate),When using AC/DC types with AC operation, slight flickering can occur,The luminous intensity stated is for when used with DC,Electrical and optical data are measured at 25 °C,The specified versions are built with a protection diode (halve wave rectifier) in series and the LED,Luminosity and wave length variations caused by LED manufacturing processes may cause slight differences regarding the illumination. The customer has to decide what resistor shall be used to the LED,Where supply voltages are over 48 V, a voltage-reduction element (external protective series resistor) must be used.

**Wiring diagrams:**



**Dimension drawings:**

