

Actuator

14-
741.006



<https://www.eao.com/component/14-741.006/en/a...>

Your product:



14-741.006 Actuator

FRONT

Front form: Round

MOUNTING

Design: Raised

Mounting cut-out: Ø 22.3 mm

Mounting type: Panel mounting

ELECTRICAL CHARACTERISTICS

Operating voltage: 24 V AC/DC

MECHANICAL CHARACTERISTICS

Terminal: Universal terminal, 2 x 0.5 mm

Tightening torque: Fixing nut max. 0.25 Nm

Weight: 0.012 kg

AMBIENT CONDITION

IP front protection: IP67, according to DIN EN 60529

Operating temperature: – 25 °C ... + 55 °C, mounted as a block, make sure the heat can escape freely

Storage temperature: – 40 °C ... + 85 °C

CERTIFICATE

Approbations: CB (IEC 61058-1), CQC, CSA, DNV, ENEC (EN 61058-1), UL

Conformities: CE, UKCA, 2011 / 65 / EC (RoHS), 2014 / 35 / EU (LVD)

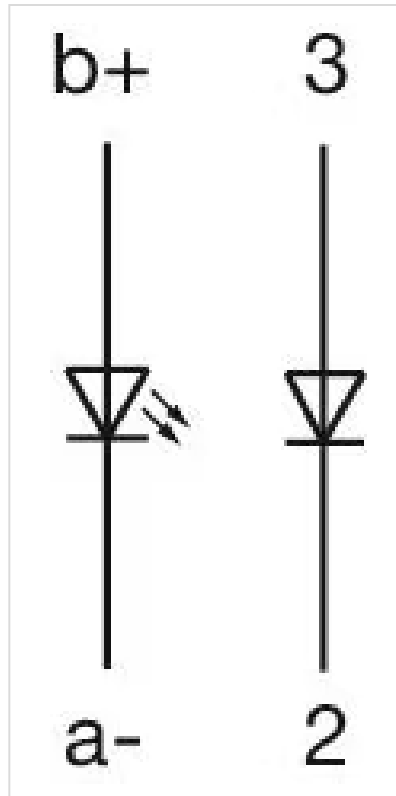
REACH: REACH compliant

RoHS: RoHS compliant

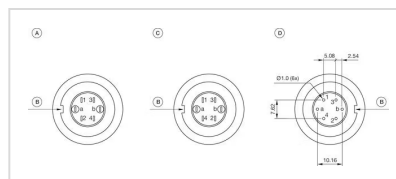
OTHER

Short Description: Actuator, Ø 22.3 mm, Round, Universal terminal, 2 x 0.5 mm, IP67, according to DIN EN 60529

Wiring diagrams:

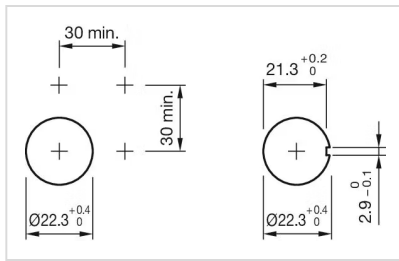


Component layouts:

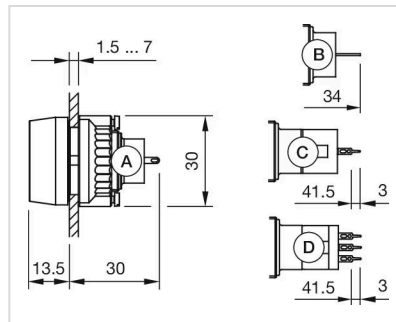


- A = Terminals (rear side)
- B = Anti twist device
- C = Diode block
- D = Drilling plan (component side)

Mounting cut-outs:



Dimension drawings:



- A = Solder terminal
- B = Plug-in terminal 2.8 x 0.5 mm
- C = Universal terminal 2.0 mm x 0.5 mm
- D = Universal-Solder terminal