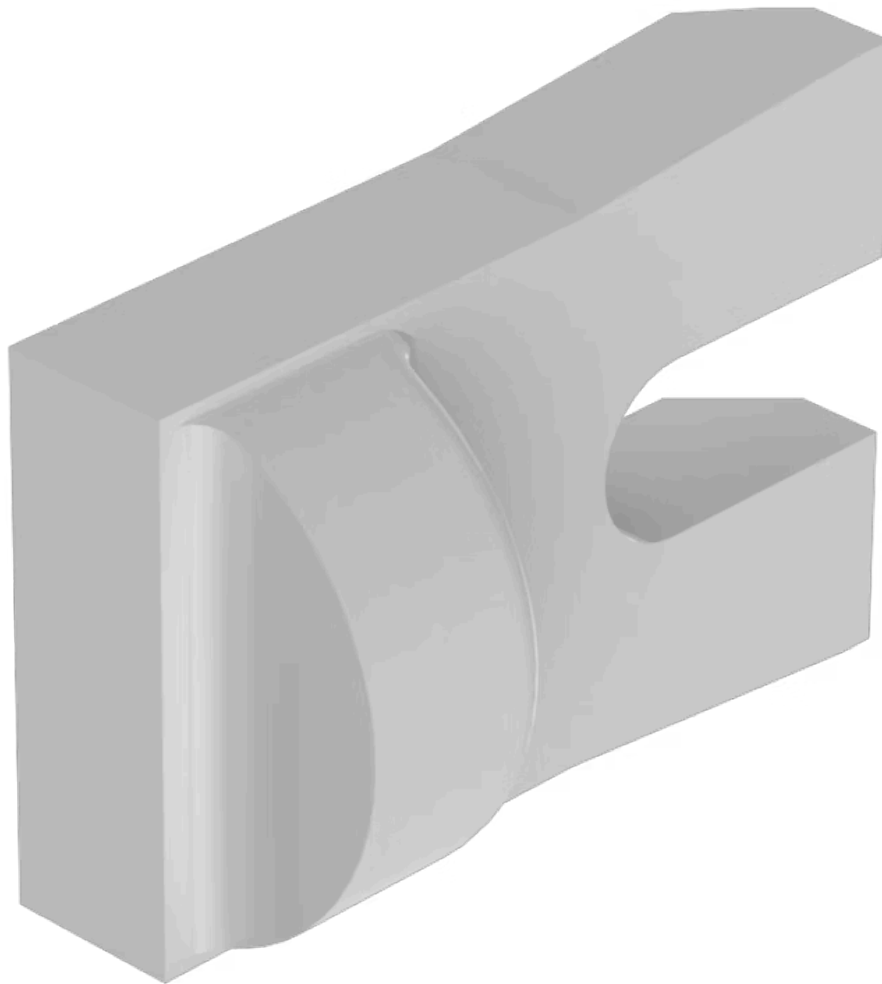


Positioning insert for ant-twist protection

14-910



<https://www.eao.com/p/14-910>

Your product:



14-910

Positioning insert for ant-twist protection

MECHANICAL CHARACTERISTIC

Weight: 0.001 kg

OTHER

Short Description: Positioning insert for ant-twist protection, Plastic

Titel Accessory: Positioning insert for ant-twist protection

Material: Plastic

Mounting cut-outs:

