

# Indicator

17-050351



<https://eao.com/p/17-050351>

Your product:

---



## 17-050351 Indicator

### FRONT

<b>Front dimension:</b>	Ø 9,5 mm
<b>Front form:</b>	round
<b>Reflector:</b>	Metal, polished chromium-plated, internal

### MOUNTING

<b>Design:</b>	raised
<b>Mounting cut-out:</b>	Ø 8 mm
<b>Mounting type:</b>	Panel mounting

### OPERATING-/INDICATION PART

<b>Illumination colour:</b>	Green
-----------------------------	-------

### ELECTRICAL CHARACTERISTICS

<b>Operating voltage:</b>	24 V DC ±10 %
<b>Operation current:</b>	19 mA ±15 %
<b>Lumi. Intensity:</b>	32 mcd
<b>Polarity:</b>	Anode (+) Brass plug-in connector Cathode (-) Brass tinned plug-in connector

### MECHANICAL CHARATERISTIC

**Terminal:** Plug-in terminal, 2.8 x 0.8 mm  
**Tightening torque:** Fixing nut max. 0.2 Nm  
**Weight:** 0.005 kg

### AMBIENT CONDITION

**IP Protection:** IP40 front side, IP65 front side, according to IEC 60529  
**Operating temperature:** - 20 °C ... + 60 °C  
**Storage temperature:** - 25 °C ... + 80 °C

### CERTIFICATE

**Approbations:** UL  
**Conformities:** 2011 / 65 / EC (RoHS), 2014 / 35 / EU (230 VAC)  
**REACH:** REACH compliant  
**RoHS:** RoHS compliant

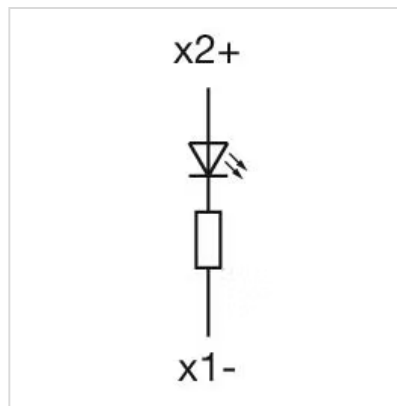
### OTHER

**Short Description:** Indicator, Ø 8 mm, Ø 9,5 mm, round, Plug-in terminal, 2.8 x 0.8 mm, Green

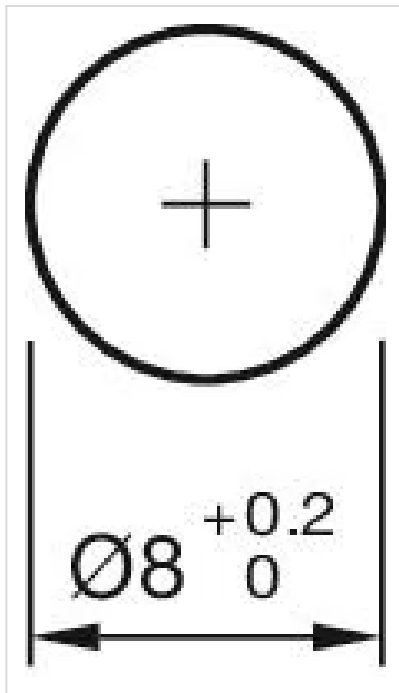
**Kind of illumination:** Single-LED

**Hints:** Connectors: Brass terminal = anode (+); brass tinned terminal = cathode (-), IP67 front side gap between LED and reflector and gap between reflector and frontplate sealed to IP67 when using the supplied gasket., The plastic is limited resistant to chemicals.

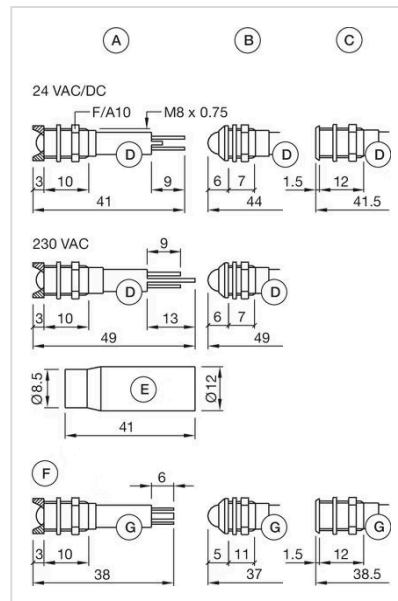
**Wiring diagrams:**



**Mounting cut-outs:**



**Dimension drawings:**



- A = interior
- B = exterior
- C = superflat
- D = Plug-in terminal 2.8 mm x 0.8 mm
- E = Multi-colour
- F = Protection tube
- G = Plug-in terminal 2.0 mm x 0.5 mm