

Actuator

18-
031.0055L



<https://eao.com/p/18-031.0055L>

Your product:



18-031.0055L Actuator

FRONT

Front dimension:	Ø 9 mm
Front form:	round
Front bezel colour:	Black
Front bezel material:	Plastic

MOUNTING

Design:	raised
Mounting type:	Panel mounting

OPERATING-/INDICATION PART

Lens colour:	Green
Lens material:	Plastic
Lens illumination:	illuminative
Lens shape:	flush
Lens optics:	translucent
Illumination colour:	Green

ELECTRICAL CHARACTERISTICS

Operating voltage:	12 V DC ±10 %
---------------------------	---------------

MECHANICAL CHARACTERISTIC

Terminal:	Soldering terminal
------------------	--------------------

Weight: 0.002 kg

CERTIFICATE

REACH: REACH compliant

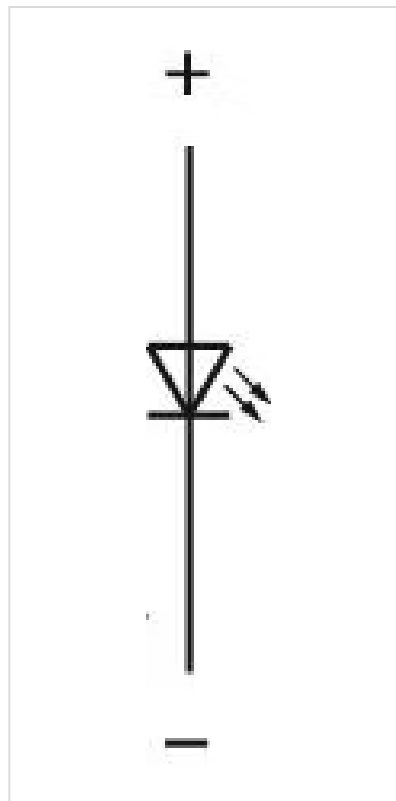
RoHS: RoHS compliant

OTHER

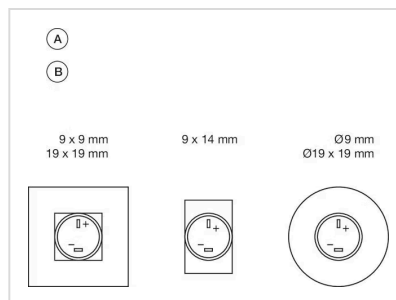
Short Description: Actuator, Ø 9 mm, flush, illuminative, Green, Plastic, translucent, round, Black, Plastic, Soldering terminal, Green

Product attributes: Luminosity and wave length variations caused by LED manufacturing processes may cause slight differences regarding the illumination. The customer has to decide what resistor shall be used to the LED

Wiring diagrams:

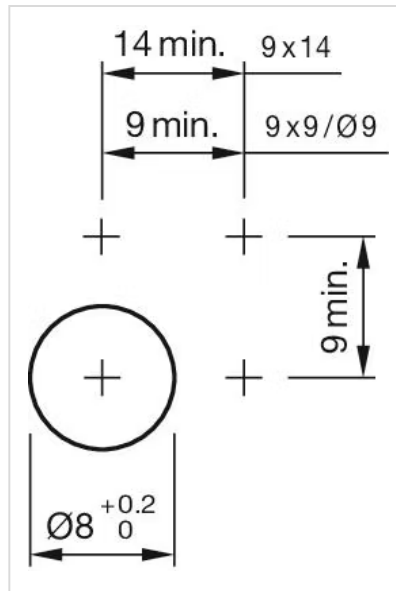


Component layouts:



A = Terminals (rear side)
B = Indicator

Mounting cut-outs:



Dimension drawings:

