

Actuator

18-
167.035



<https://eao.com/p/18-167.035>

Your product:



18-167.035 Actuator

FRONT

Front dimension:	Ø 19 mm
Front form:	round
Front bezel colour:	Black
Front bezel material:	Plastic

MOUNTING

Design:	flush
Mounting type:	Panel mounting

OPERATING-/INDICATION PART

Lens illumination:	illuminative
---------------------------	--------------

ELECTRICAL CHARACTERISTICS

Contacts:	1 NO
Switching voltage and switching current:	100 mA at 42 VAC/VDC
Switching rating:	42 V @ 0,1 A
Electrical lifetime:	≥500 000 cycles of operation at 30 VDC, 100 mA, according to IEC 61058-1
Electric strength:	500 VAC, 50 Hz, 1 minute, as per IEC 60512-2-11 between all terminals and earth

MECHANICAL CHARACTERISTIC

Terminal:	Soldering terminal
Contact material:	Gold

Switching action:	Momentary
Switching system:	Snap-action switching element
Switching system:	The snap-action switching system was designed for switching low powers in electronic circuits. Single-break snap-action contact.
Mechanical lifetime:	2 Mio. cycles of operation
Operating force:	1.4 N
Operating Travel:	ca. 2.2 mm ± 0.2 mm
Tightening torque:	Fixing nut max. 0.2 Nm
Wire cross section:	Max. wire cross-section 2 wires with 0.5 mm Max. wire cross-section of stranded cable 1 x 0.75 mm ² Wire cross-section of terminal 1,6 x 0,4 mm ²
Weight:	0.002 kg

AMBIENT CONDITION

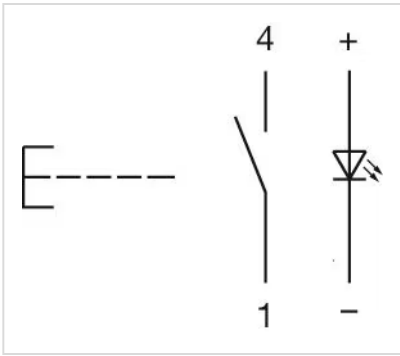
IP front protection:	IP40, according to IEC 60529
Operating temperature:	- 25 °C ... + 65 °C
Storage temperature:	- 40 °C ... + 80 °C
Shock resistance:	50 g for 11 ms, as per DIN / EN 60068-2-27 (Single impacts, semi-sinusoidal)
Vibration resistance:	10 g at 10 Hz...2000 Hz, amplitude 0.75 mm (Sinusoidal), according to DIN EN 60512-4-4

CERTIFICATE

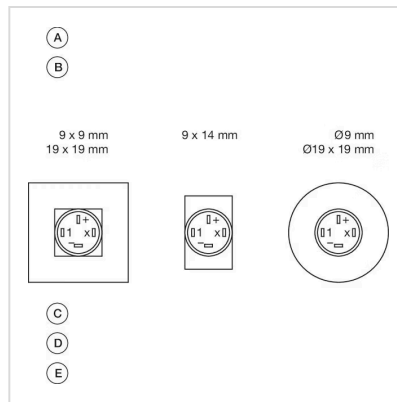
Conformities:	2011 / 65 / EC (RoHS), 2014 / 35 / EU (LVD) for version 230 VAC
REACH:	REACH compliant
RoHS:	RoHS compliant

OTHER

Short Description:	Actuator, Ø 19 mm, illuminative, round, Black, Plastic, 1 NO, Momentary, Soldering terminal, IP40, according to IEC 60529
Internal size:	Ø 13,8 mm
Housing colour:	Black
Housing material:	Plastic
Product attributes:	+/- terminals are not connected
Wiring diagrams:	

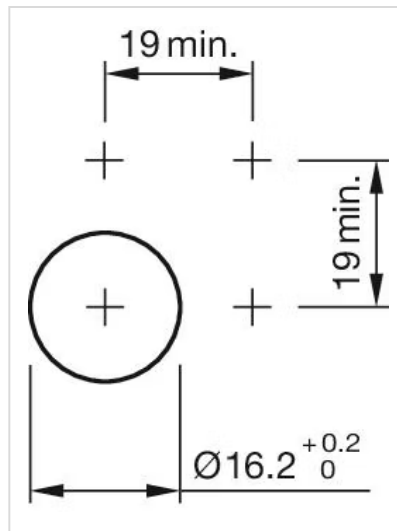


Component layouts:



A = Terminals (rear side)
 B = Illuminated pushbutton
 C = x = Contact No.
 D = 2 = Normally open
 E = 4 = Normally close

Mounting cut-outs:



Dimension drawings:

