

# Actuator

18-  
168.035



<https://eao.com/p/18-168.035>

Your product:

---



## 18-168.035 Actuator

### FRONT

<b>Front dimension:</b>	Ø 19 mm
<b>Front form:</b>	round
<b>Front bezel colour:</b>	Black
<b>Front bezel material:</b>	Plastic

### MOUNTING

<b>Design:</b>	flush
<b>Mounting type:</b>	Panel mounting

### OPERATING-/INDICATION PART

<b>Lens illumination:</b>	illuminative
---------------------------	--------------

### ELECTRICAL CHARACTERISTICS

<b>Contacts:</b>	1 NC
<b>Switching voltage and switching current:</b>	100 mA at 42 VAC/VDC
<b>Switching rating:</b>	42 V @ 0,1 A
<b>Electrical lifetime:</b>	≥500 000 cycles of operation at 30 VDC, 100 mA, according to IEC 61058-1
<b>Electric strength:</b>	500 VAC, 50 Hz, 1 minute, as per IEC 60512-2-11 between all terminals and earth

### MECHANICAL CHARACTERISTIC

<b>Terminal:</b>	Soldering terminal
<b>Contact material:</b>	Gold

<b>Switching action:</b>	Momentary
<b>Switching system:</b>	Snap-action switching element
<b>Switching system:</b>	The snap-action switching system was designed for switching low powers in electronic circuits. Single-break snap-action contact.
<b>Mechanical lifetime:</b>	2 Mio. cycles of operation
<b>Operating force:</b>	1.4 N
<b>Operating Travel:</b>	ca. 2.2 mm ± 0.2 mm
<b>Tightening torque:</b>	Fixing nut max. 0.2 Nm
<b>Wire cross section:</b>	Max. wire cross-section 2 wires with 0.5 mm Max. wire cross-section of stranded cable 1 x 0.75 mm <sup>2</sup> Wire cross-section of terminal 1,6 x 0,4 mm <sup>2</sup>
<b>Weight:</b>	0.002 kg

### AMBIENT CONDITION

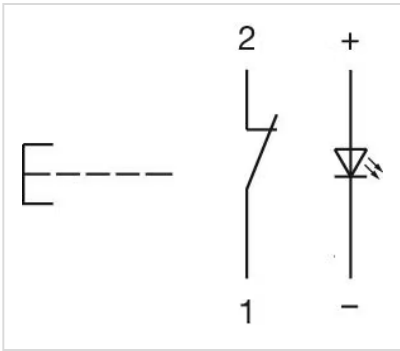
<b>IP front protection:</b>	IP40, according to IEC 60529
<b>Operating temperature:</b>	- 25 °C ... + 65 °C
<b>Storage temperature:</b>	- 40 °C ... + 80 °C
<b>Shock resistance:</b>	50 g for 11 ms, as per DIN / EN 60068-2-27 (Single impacts, semi-sinusoidal)
<b>Vibration resistance:</b>	10 g at 10 Hz...2000 Hz, amplitude 0.75 mm (Sinusoidal), according to DIN EN 60512-4-4

### CERTIFICATE

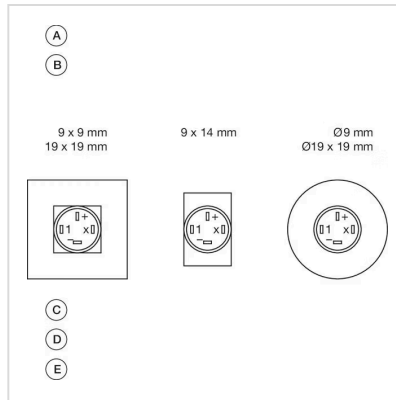
<b>Conformities:</b>	2011 / 65 / EC (RoHS), 2014 / 35 / EU (LVD) for version 230 VAC
<b>REACH:</b>	REACH compliant
<b>RoHS:</b>	RoHS compliant

### OTHER

<b>Short Description:</b>	Actuator, Ø 19 mm, illuminative, round, Black, Plastic, 1 NC, Momentary, Soldering terminal, IP40, according to IEC 60529
<b>Internal size:</b>	Ø 13,8 mm
<b>Housing colour:</b>	Black
<b>Housing material:</b>	Plastic
<b>Product attributes:</b>	+/- terminals are not connected
<b>Wiring diagrams:</b>	

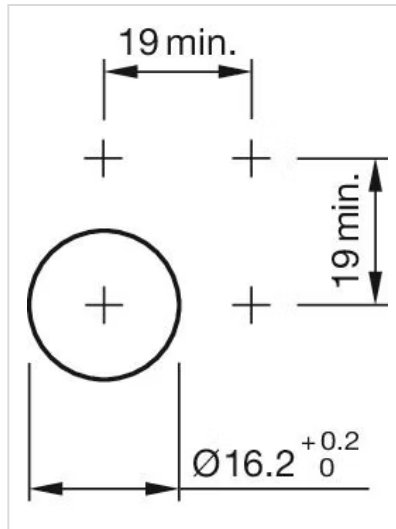


**Component layouts:**



- A = Terminals (rear side)
- B = Illuminated pushbutton
- C = x = Contact No.
- D = 2 = Normally open
- E = 4 = Normally close

**Mounting cut-outs:**



**Dimension drawings:**

