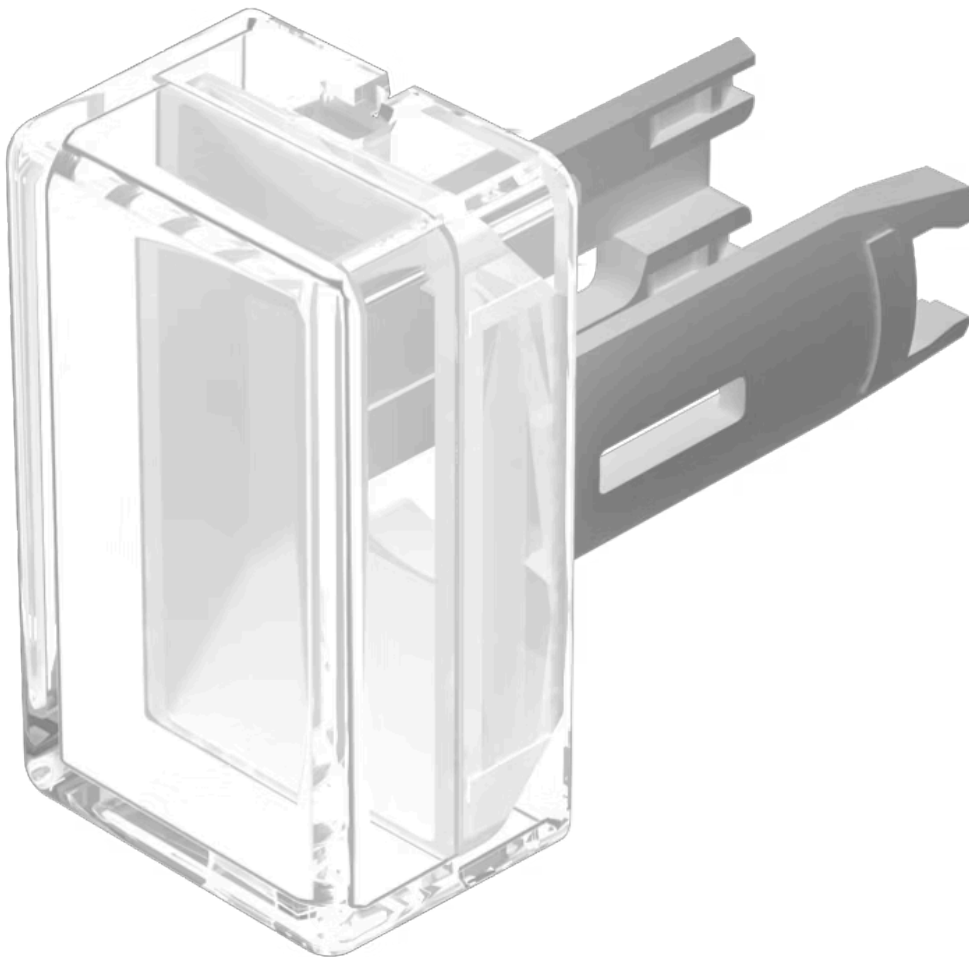


Lens

18-
942.9



<https://www.eao.com/component/18-942.9/en/lens>

Your product:



18-942.9 Lens

PRODUCT RANGE

Product Status: Phase-out

FRONT

Front form: Rectangular

OPERATING-/INDICATION PART

Lens colour: White

Lens material: Plastic

Lens illumination: Illuminated

Lens shape: Flush

Lens optics: translucent

MECHANICAL CHARACTERISTICS

Weight: 0.001 kg

CERTIFICATE

REACH: REACH compliant

RoHS: RoHS compliant

OTHER

Short Description:

Lens, 12.5 mm x 7.5 mm, Illuminated, White, Flush, Plastic

Dimension:

12.5 mm x 7.5 mm