

# Actuator

19-  
472.035



<https://www.eao.com/component/19-472.035/en/a...>

Your product:

---



## 19-472.035 Actuator

### FRONT

|                              |         |
|------------------------------|---------|
| <b>Front dimension:</b>      | Ø 9 mm  |
| <b>Front form:</b>           | Round   |
| <b>Front bezel colour:</b>   | Black   |
| <b>Front bezel material:</b> | Plastic |

### MOUNTING

|                          |                |
|--------------------------|----------------|
| <b>Design:</b>           | Raised         |
| <b>Mounting cut-out:</b> | Ø 8 mm         |
| <b>Mounting type:</b>    | Panel mounting |

### OPERATING-/INDICATION PART

|                           |             |
|---------------------------|-------------|
| <b>Lens illumination:</b> | Illuminated |
|---------------------------|-------------|

### ELECTRICAL CHARACTERISTICS

|   |  |
|---|--|
| <b>Switching voltage and switching current:</b> | 100 mA at 42 VAC/VDC   |
| <b>Contacts:</b>                                | 1 NC   |
| <b>Switching rating:</b>                        | 50 V @ 0,1 A   |
| <b>Electric strength:</b>                       | 2500 VAC, 50 Hz, 1 minute, as per IEC 60512-2-11 between all terminals and earth |

### MECHANICAL CHARACTERISTICS

|                          |                              |
|--------------------------|------------------------------|
| <b>Terminal:</b>         | Plug-in terminal, 2 x 0.5 mm |
| <b>Contact material:</b> |                              |

Gold

|                             |  |
|-----------------------------|--|
| <b>Switching action:</b>    | Maintained   |
| <b>Switching system:</b>    | Low-level element  |
| <b>Switching system:</b>    | This low-level switching element was developed for low switching voltages and currents.<br>Single-break momentary contact, as normally open or normally closed with 4 independent points of contact. |
| <b>Mechanical lifetime:</b> | 5 Mil. cycles of operation   |
| <b>Operating force:</b>     | 1.8 N $\pm$ 0.3 N  |
| <b>Operating Travel:</b>    | ca. 2.8 mm $\pm$ 0.2 mm  |
| <b>Tightening torque:</b>   | Fixing nut max. 0.2 Nm   |
| <b>Wire cross section:</b>  | Max. wire diameter 2 wires $\leq$ 0.8 mm<br>Max. wire cross-section of stranded cable 1 x 0.75 mm <sup>2</sup>   |
| <b>Weight:</b>              | 0.003 kg   |

#### **AMBIENT CONDITION**

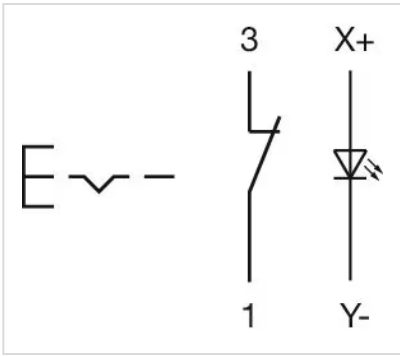
|                               |  |
|-------------------------------|--|
| <b>IP Protection:</b>         | IP40 front side, according to DIN EN 60529   |
| <b>Operating temperature:</b> | - 25 °C ... + 45 °C with filament lamp, - 25 °C ... + 65 °C with LED, - 25 °C ... + 65 °C without illumination, mounted as a block, make sure the heat can escape freely |
| <b>Storage temperature:</b>   | - 40 °C ... + 85 °C  |
| <b>Shock resistance:</b>      | 15 g for 11 ms, as per DIN/EN 60512-4-3, IEC 60068-2-27 (Single impacts, semi-sinusoidal)  |

#### **CERTIFICATE**

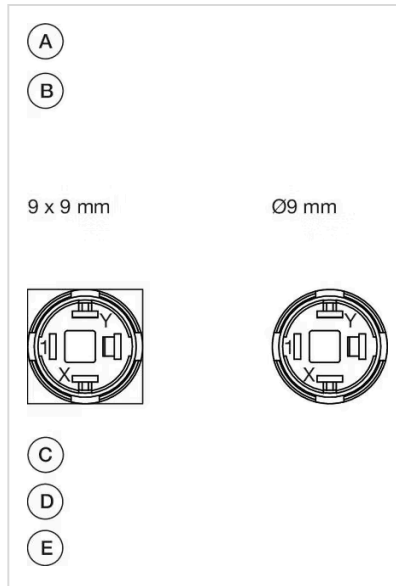
|                      |                       |
|----------------------|-----------------------|
| <b>Conformities:</b> | 2011 / 65 / EC (RoHS) |
| <b>REACH:</b>        | REACH compliant       |
| <b>RoHS:</b>         | RoHS compliant        |

#### **OTHER**

|                           |  |
|---------------------------|--|
| <b>Short Description:</b> | Actuator, $\varnothing$ 8 mm, $\varnothing$ 9 mm, Illuminated, Round, Black, Plastic, 1 NC, Maintained, Plug-in terminal, 2 x 0.5 mm |
| <b>Internal size:</b>     | $\varnothing$ 7,3 mm   |
| <b>Housing colour:</b>    | Black  |
| <b>Housing material:</b>  | Plastic  |
| <b>Wiring diagrams:</b>   |  |

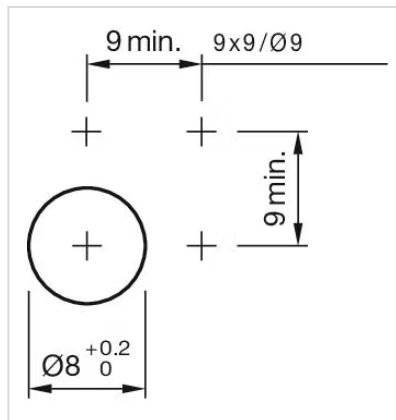


**Component layouts:**



- A = Terminals (rear side)
- B = Illuminated pushbutton
- C = x = Contact No.
- D = 2 = Normally open
- E = 4 = Normally close

**Mounting cut-outs:**



**Dimension drawings:**

