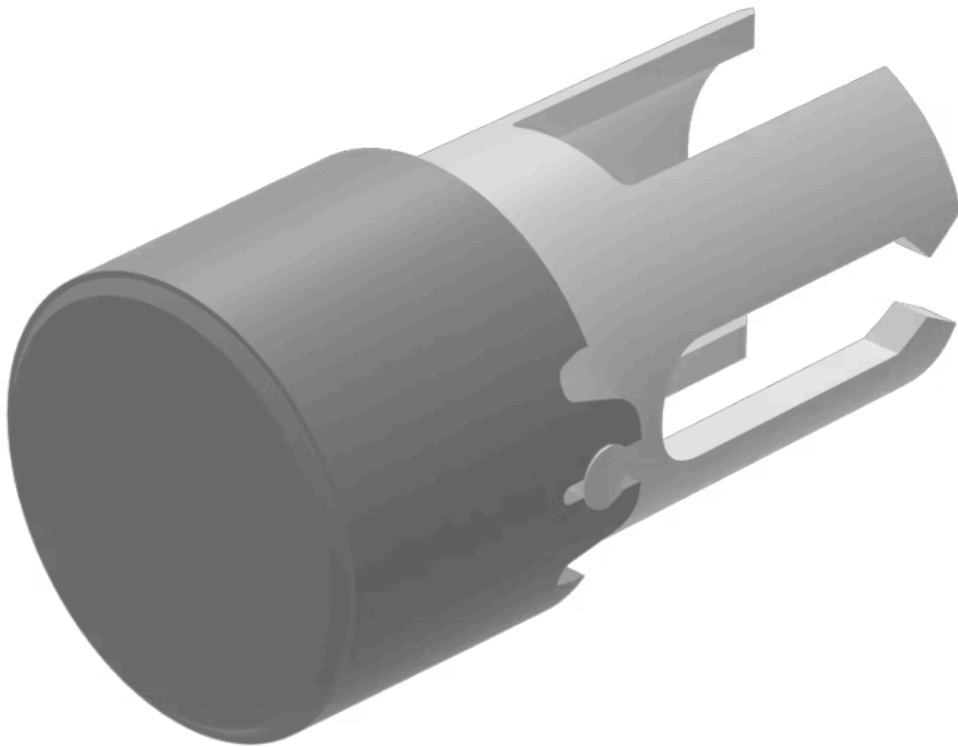


# Lens

19-  
931.8



<https://www.eao.com/p/19-931.8>

Your product:

---



## 19-931.8 Lens

### FRONT

**Front form:** Round

### OPERATING-/INDICATION PART

**Lens colour:** Grey

**Lens material:** Plastic

**Lens illumination:** Non illuminated

**Lens shape:** Flush

**Lens optics:** opaque

### MECHANICAL CHARACTERISTIC

**Weight:** 0.001 kg

### CERTIFICATE

**REACH:** REACH compliant

**RoHS:** RoHS compliant

### OTHER

**Short Description:** Lens, Ø 7.3 mm, Non illuminated, Grey, Flush, Plastic

**Dimension:** Ø 7.3 mm