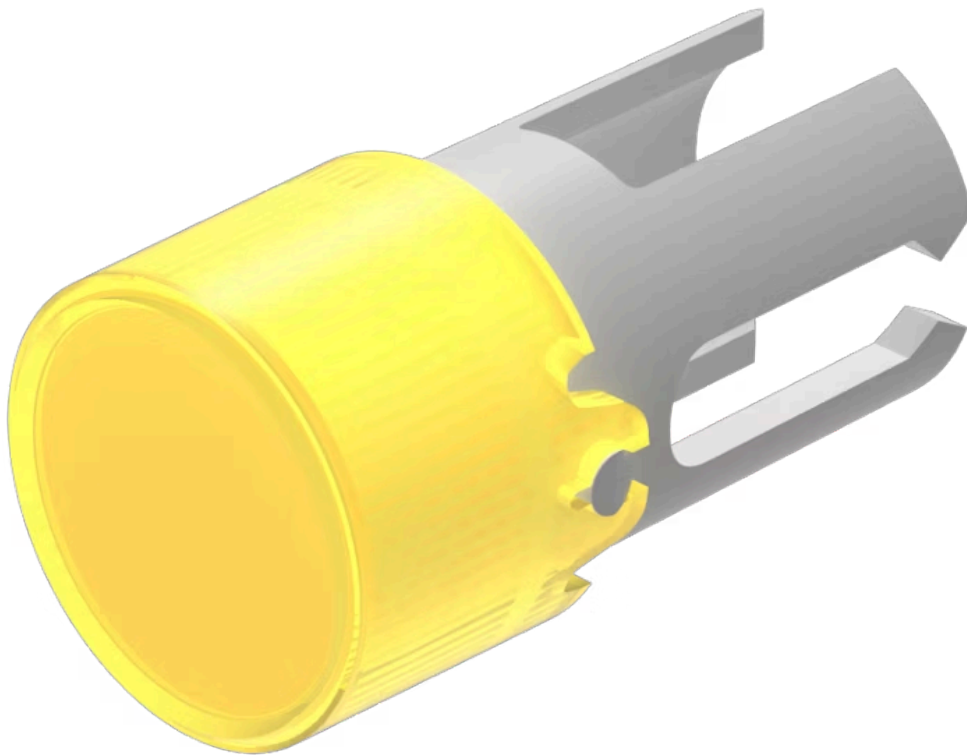


# Lens

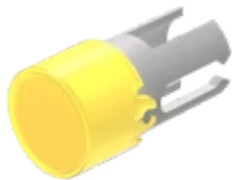
19-  
932.4



<https://www.eao.com/p/19-932.4>

Your product:

---



## 19-932.4 Lens

### FRONT

**Front form:** Round

### OPERATING-/INDICATION PART

**Lens colour:** Yellow

**Lens material:** Plastic

**Lens illumination:** Illuminated

**Lens shape:** Flush

**Lens optics:** transparent

### MECHANICAL CHARACTERISTIC

**Weight:** 0.001 kg

### CERTIFICATE

**REACH:** REACH compliant

**RoHS:** RoHS compliant

### OTHER

**Short Description:** Lens, Ø 7.3 mm, Illuminated, Yellow, Flush, Plastic

**Dimension:** Ø 7.3 mm

**Product attributes:** Not recommended for film insert