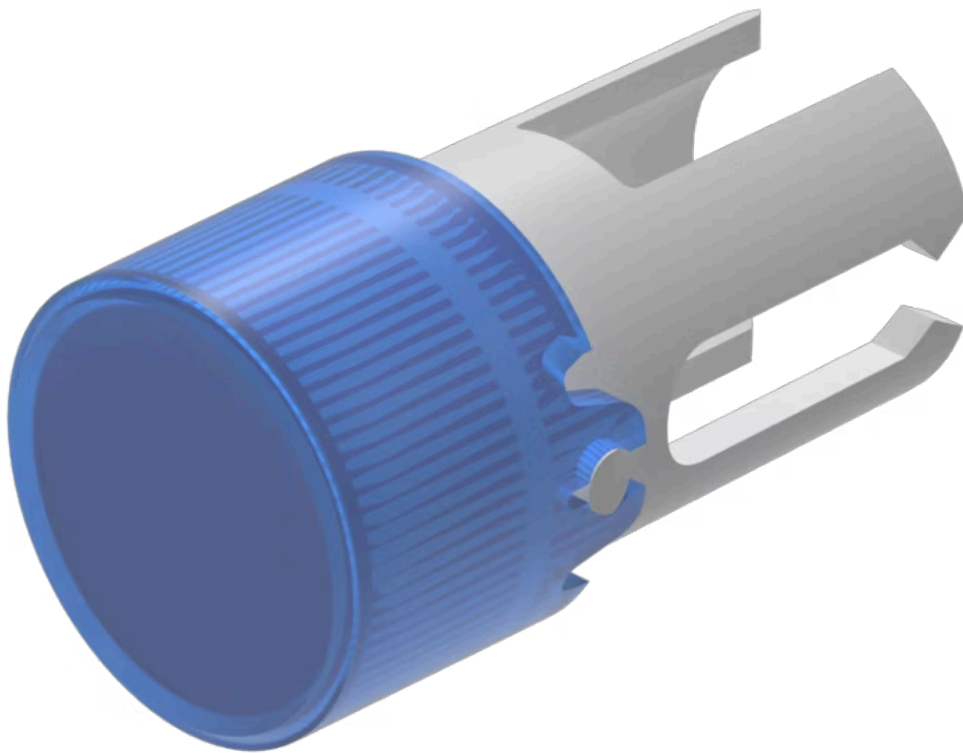


Lens

19-
932.6



<https://www.eao.com/p/19-932.6>

Your product:



19-932.6 Lens

FRONT

Front form: Round

OPERATING-/INDICATION PART

Lens colour: Blue

Lens material: Plastic

Lens illumination: Illuminated

Lens shape: Flush

Lens optics: transparent

MECHANICAL CHARACTERISTIC

Weight: 0.001 kg

CERTIFICATE

REACH: REACH compliant

RoHS: RoHS compliant

OTHER

Short Description: Lens, Ø 7.3 mm, Illuminated, Blue, Flush, Plastic

Dimension: Ø 7.3 mm

Product attributes: Not recommended for film insert