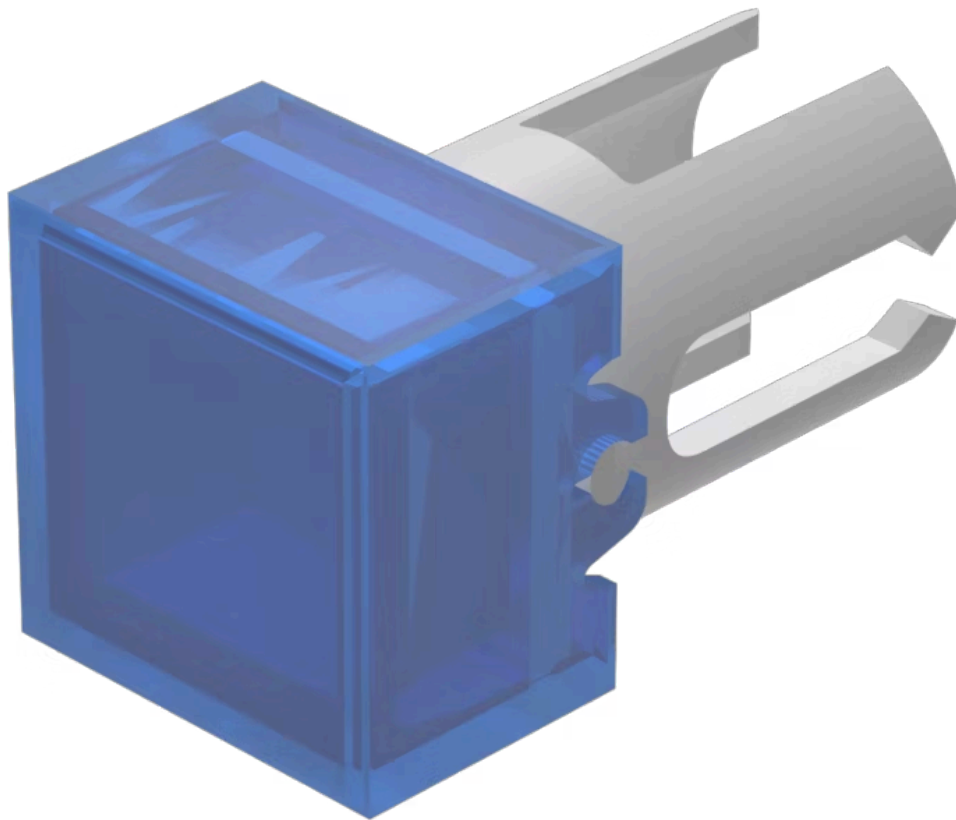


# Lens

19-  
951.6



<https://www.eao.com/p/19-951.6>

Your product:

---



## 19-951.6 Lens

### FRONT

**Front form:** Square

### OPERATING-/INDICATION PART

**Lens colour:** Blue

**Lens material:** Plastic

**Lens illumination:** Illuminated

**Lens shape:** Flush

**Lens optics:** transparent

### MECHANICAL CHARACTERISTIC

**Weight:** 0.001 kg

### CERTIFICATE

**REACH:** REACH compliant

**RoHS:** RoHS compliant

### OTHER

**Short Description:** Lens, 7.3 mm x 7.3 mm, Illuminated, Blue, Flush, Plastic

**Dimension:** 7.3 mm x 7.3 mm

**Product attributes:** For film insert