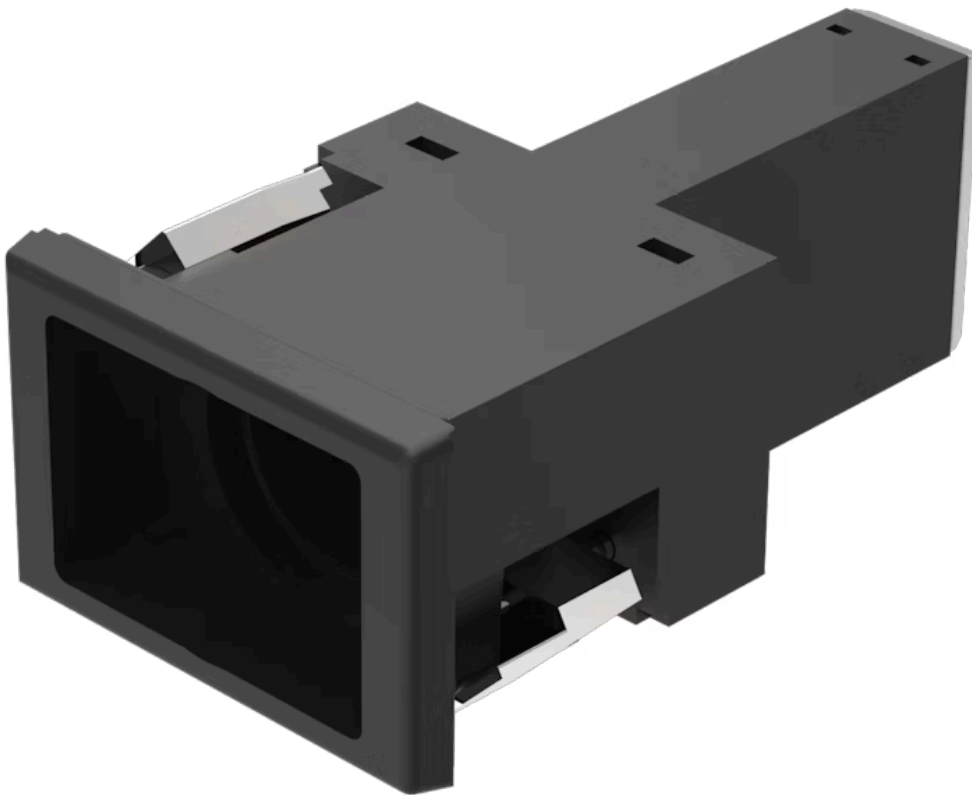


Actuator

22-
040.001



<https://www.eao.com/p/22-040.001>

Your product:



22-040.001 Actuator

FRONT

Front dimension: 36 mm x 24 mm

Front form: Rectangular

MOUNTING

Design: Flush

Mounting cut-out: 22 mm x 30 mm

Mounting type: Panel mounting

ELECTRICAL CHARACTERISTICS

Switching rating:

MECHANICAL CHARACTERISTIC

Terminal: Screw terminal

Weight: 0.022 kg

AMBIENT CONDITION

Operating temperature: - 25 °C ... + 55 °C

CERTIFICATE

REACH: REACH compliant

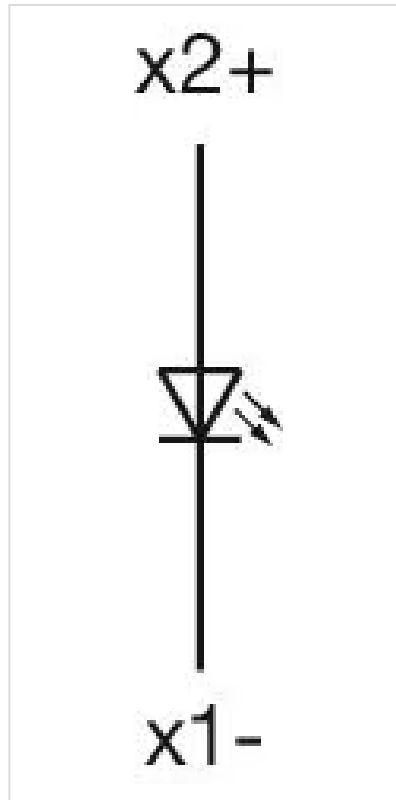
RoHS: RoHS compliant

OTHER

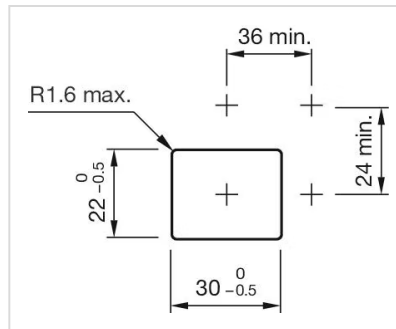
Short Description:

Actuator, 22 mm x 30 mm, 36 mm x 24 mm, Rectangular, Screw terminal

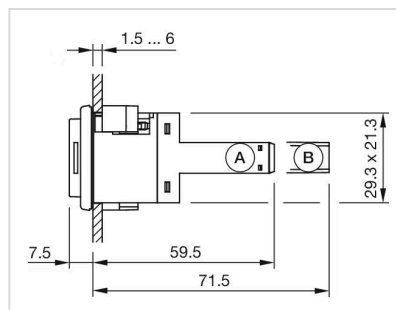
Wiring diagrams:



Mounting cut-outs:



Dimension drawings:



A = Screw terminal
B = Plug-in terminal 6.3 mm x 0.8 mm