

Actuator

22-
221.014



<https://www.eao.com/component/22-221.014/en/a...>

Your product:



22-221.014 Actuator

FRONT

| | |
|------------------------------|---------------|
| Front dimension: | 36 mm x 24 mm |
| Front form: | Rectangular |
| Front bezel colour: | Black |
| Front bezel material: | Plastic |

MOUNTING

| | |
|--------------------------|----------------|
| Design: | Flush |
| Mounting cut-out: | 22 mm x 30 mm |
| Mounting type: | Panel mounting |

OPERATING-/INDICATION PART

| | |
|---------------------------|----------------------|
| Lens illumination: | Optional illuminated |
|---------------------------|----------------------|

ELECTRICAL CHARACTERISTICS

| | |
|---|---|
| Switching voltage and switching current: | 400 VAC, 10 A (ohmic) 400 VAC, 4 A (inductive, $\cos(\phi) = 0.7$) 250 VAC, 5 A (inductive, $\cos(\phi) = 0.7$) 125 VAC, 8 A (inductive, $\cos(\phi) = 0.7$) 110 VDC, 0.4 A (inductive, L:R = 30 ms) 60 VDC, 1.5 A (inductive, L:R = 30 ms) 24 VDC, 6 A (inductive, L:R = 30 ms) |
| Contacts: | 1 NO |
| Switching rating: | 400 V @ 10 A |
| Electrical lifetime: | 50 000 cycles of operation |
| Electric strength: | 2000 VAC, 50 Hz, 1 minute, as per IEC 60512-2-11 between all terminals and earth |

MECHANICAL CHARACTERISTICS

| | |
|-----------------------------|---|
| Terminal: | Plug-in terminal, 6.3 x 0.8 mm |
| Contact material: | Silver |
| Switching action: | Maintained |
| Switching system: | Snap-action switching element |
| Switching system: | Self-cleaning, double-break snap action switching system (contact opening width 2 mm x 1.5 mm). Max. 2 normally closed or 2 normally open contacts, or one of each |
| Mechanical lifetime: | 1 Mil. cycles of operation |
| Operating force: | 4.4 N \pm 1 N (1 switching element), 7.8 N \pm 1 N (2 switching element) |
| Operating Travel: | 5.5 mm \pm 0.5 mm |
| Travel: | > 3 mm |
| Weight: | 0.031 kg |

AMBIENT CONDITION

| | |
|-------------------------------|--|
| IP Protection: | IP20 rear side, IP65 front side, according to IEC 60529 |
| Operating temperature: | - 25 °C ... + 55 °C |
| Storage temperature: | - 40 °C ... + 95 °C |
| Shock resistance: | 50 g for 11 ms, according to IEC 60512-4-3 |
| Vibration resistance: | 10 g at 10 Hz...2000 Hz, amplitude 0.75 mm (Sinusoidal), according to DIN EN 60512-4-4 |

CERTIFICATE

| | |
|----------------------|---|
| Approbations: | CB (IEC 61058-1), CSA, EAC, ENEC (EN 61058-1), UL |
|----------------------|---|

Conformities: CE, UKCA, 2011 / 65 / EC (RoHS), 2014 / 35 / EU (LVD)

REACH: REACH compliant

RoHS: RoHS compliant

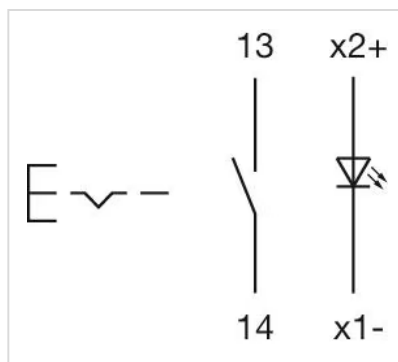
OTHER

Short Description: Actuator, 22 mm x 30 mm, 36 mm x 24 mm, Optional illuminated, Rectangular, Black, Plastic, 1 NO, Maintained, Plug-in terminal, 6.3 x 0.8 mm

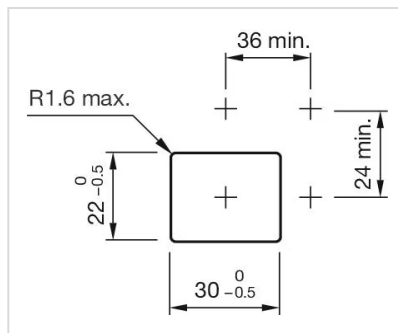
Housing colour: Black

Housing material: Plastic

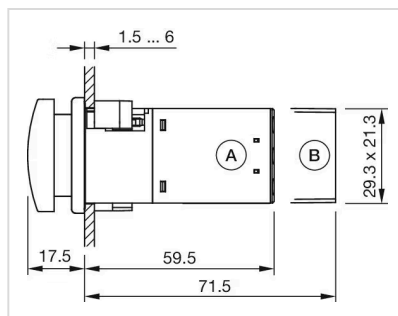
Wiring diagrams:



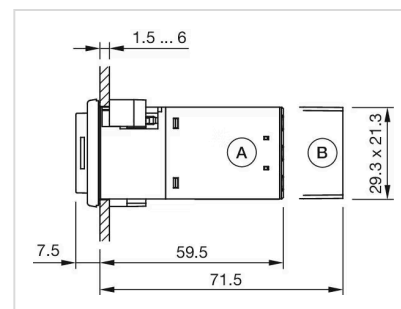
Mounting cut-outs:



Dimension drawings:



A = Screw terminal
B = Plug-in terminal 6.3 mm x 0.8 mm



A = Screw terminal
B = Plug-in terminal 6.3 mm x 0.8 mm