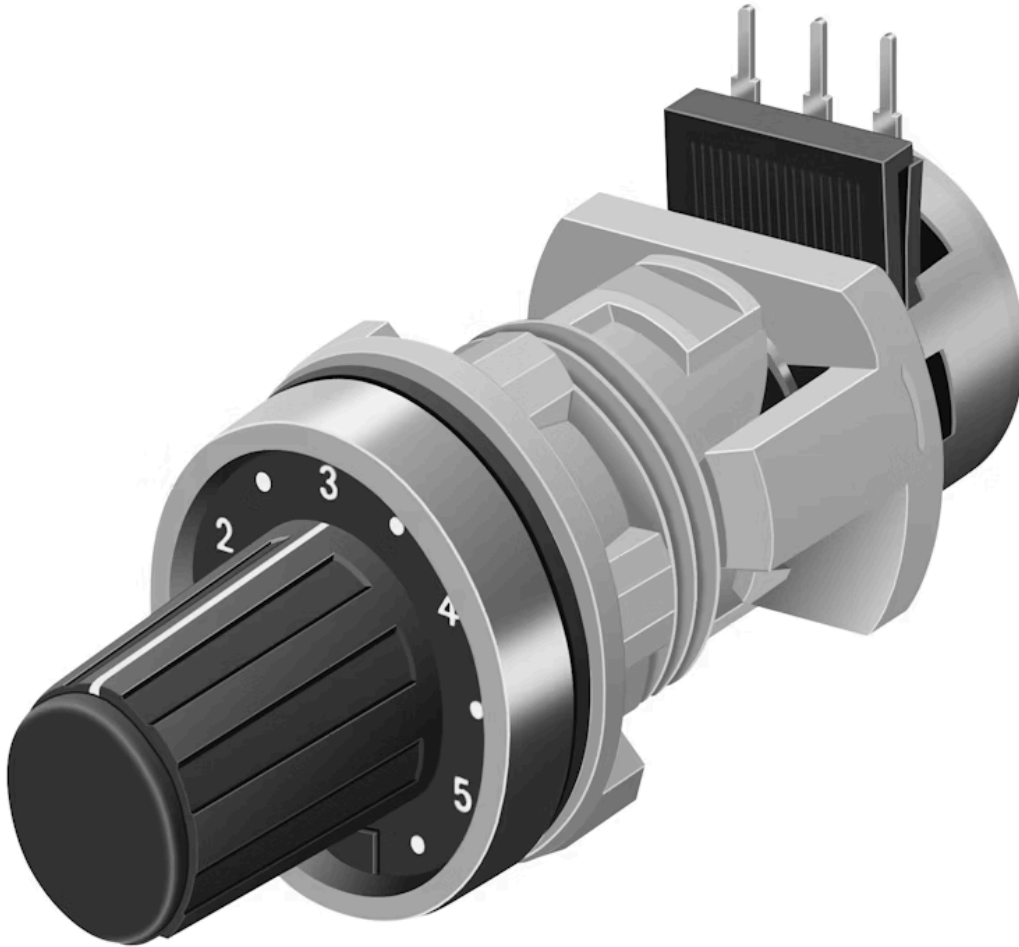


# Actuator

44-745.20-  
10K1



<https://eao.com/p/44-745.20-10K1>

Your product:

---



## 44-745.20-10K1 Actuator

### FRONT

**Front bezel material:** Metal

### MOUNTING

**Mounting type:** Panel mounting

### ELECTRICAL CHARACTERISTICS

**Resistance:** 10 k $\Omega$

### MECHANICAL CHARACTERISTIC

**Weight:** 0.03 kg

**Terminal:** Soldering terminal

### CERTIFICATE

**REACH:** REACH compliant

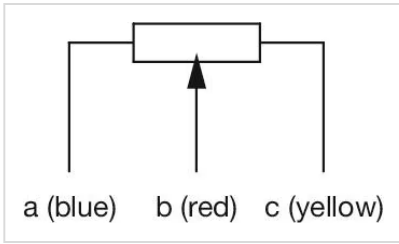
**RoHS:** RoHS compliant

### OTHER

**Short Description:** Actuator, Metal, matt chrome, Soldering terminal

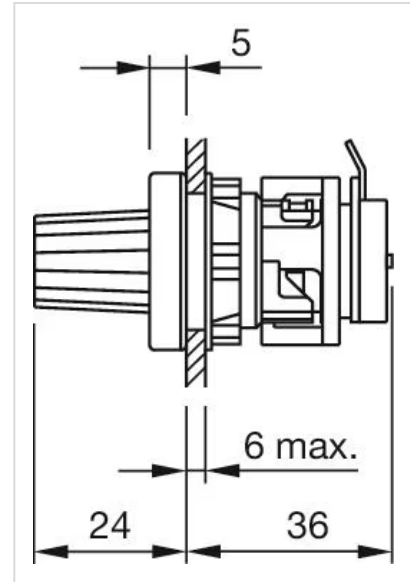
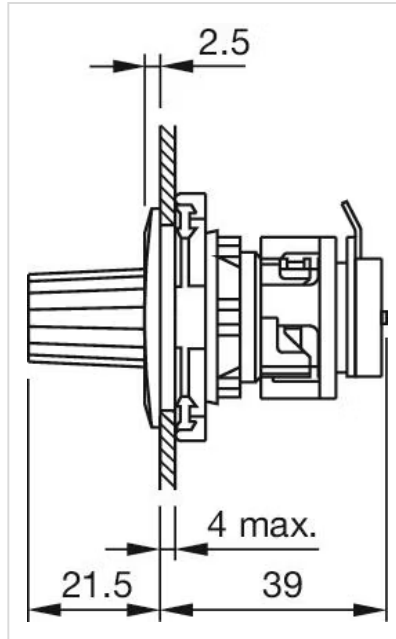
**Housing material:** Plastic

**Wiring diagrams:**

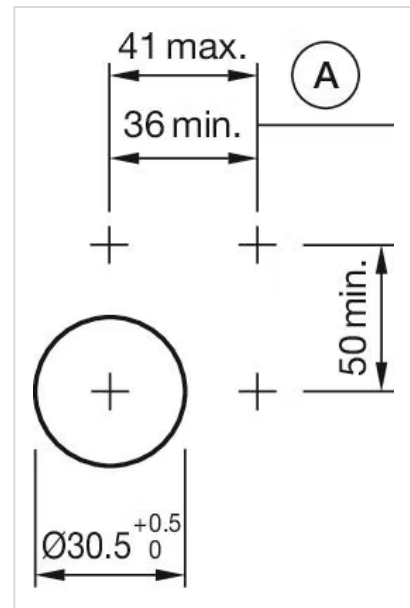
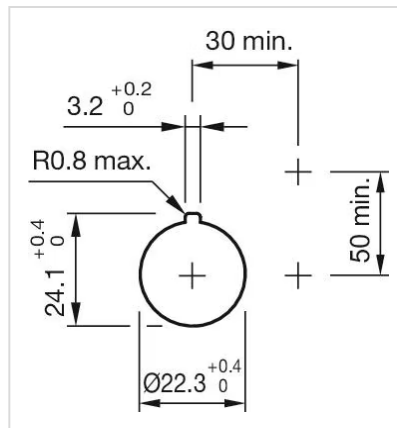


A = blue  
 B = red  
 C = yellow

**Dimension drawings:**



**Mounting cut-outs:**



A = Action range of aligning pins