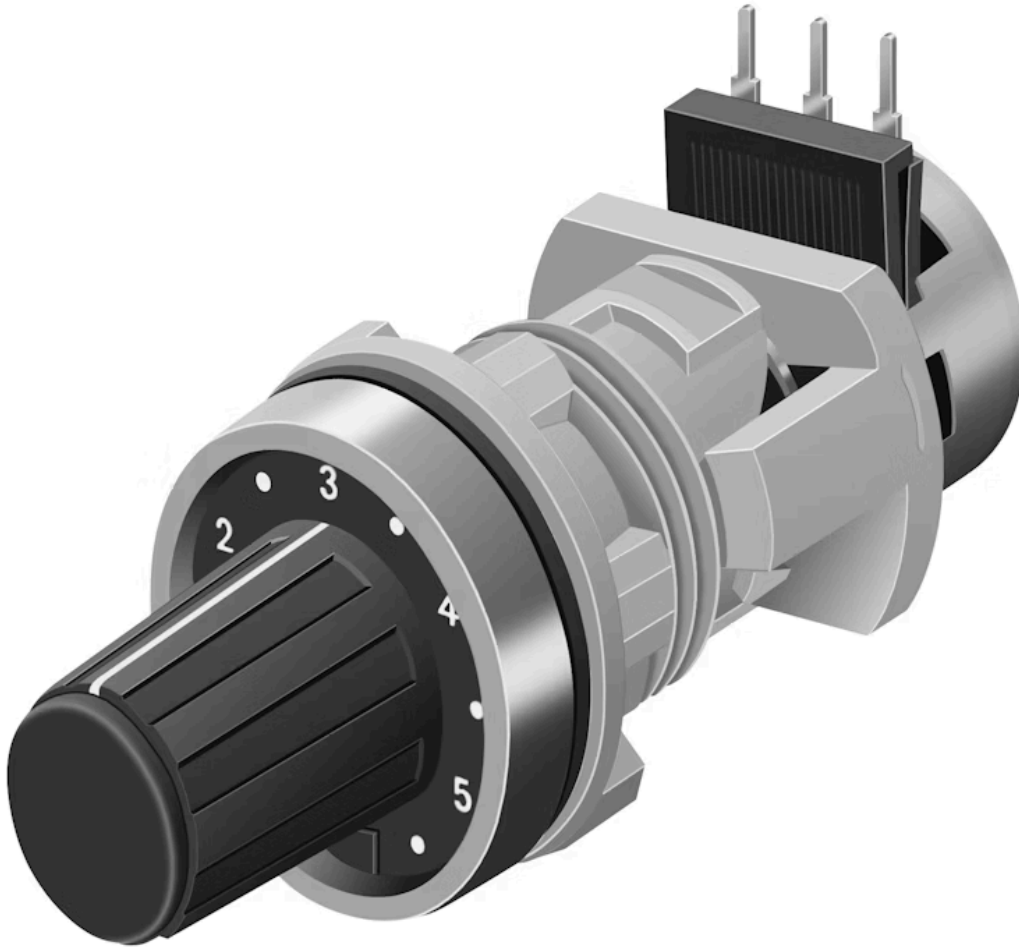


# Actuator

44-745.60-  
10K1



<https://eao.com/p/44-745.60-10K1>

Your product:

---



## 44-745.60-10K1 Actuator

### FRONT

**Front bezel colour:** Matt grey

**Front bezel material:** Plastic

### MOUNTING

**Mounting type:** Panel mounting

### ELECTRICAL CHARACTERISTICS

**Resistance:** 10 k $\Omega$

### MECHANICAL CHARACTERISTIC

**Terminal:** Soldering terminal

**Weight:** 0.03 kg

### CERTIFICATE

**REACH:** REACH compliant

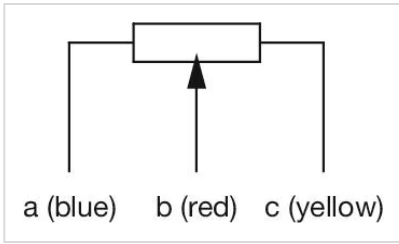
**RoHS:** RoHS compliant

### OTHER

**Short Description:** Actuator, Matt grey, Plastic, Soldering terminal

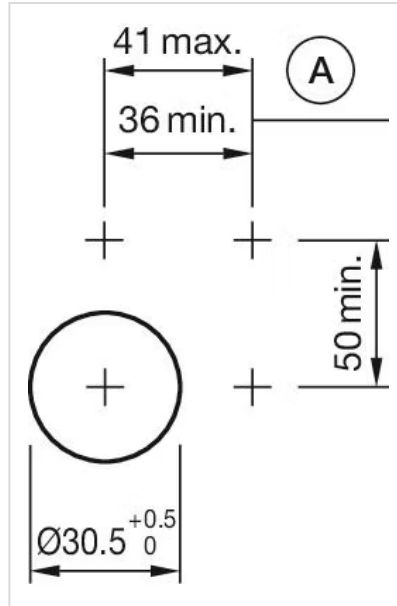
**Housing material:** Plastic

**Wiring diagrams:**

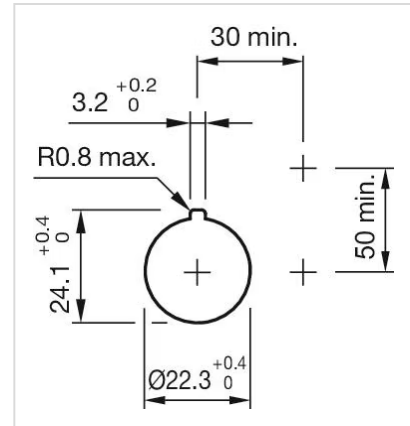


A = blue  
 B = red  
 C = yellow

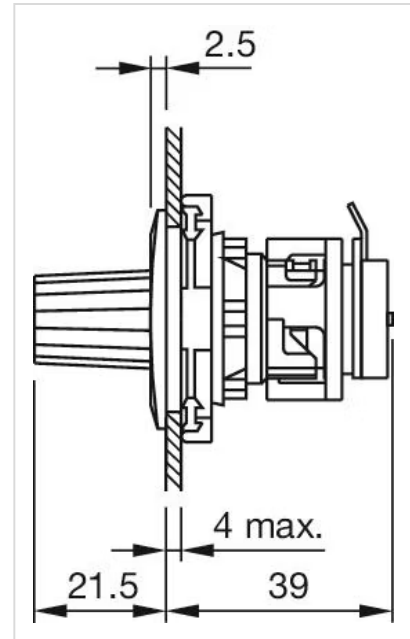
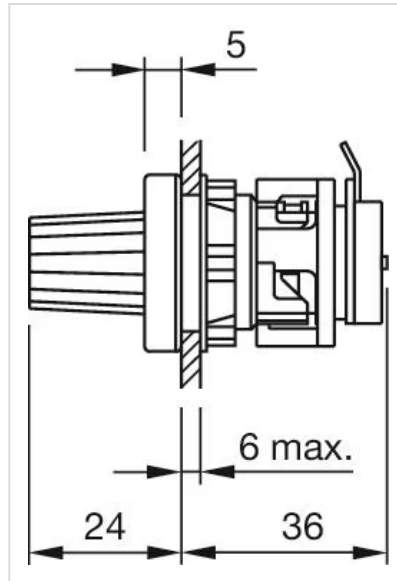
**Mounting cut-outs:**







A = Action range of aligning pins



**Dimension drawings:**



## Where to Buy

	Distributor	Quantity in Stock	
	DigiKey	5 in stock	<a href="#">Buy</a> 
	Mouser Electronics	0 in stock	<a href="#">Buy</a> 

Powered by oemsecrets.com