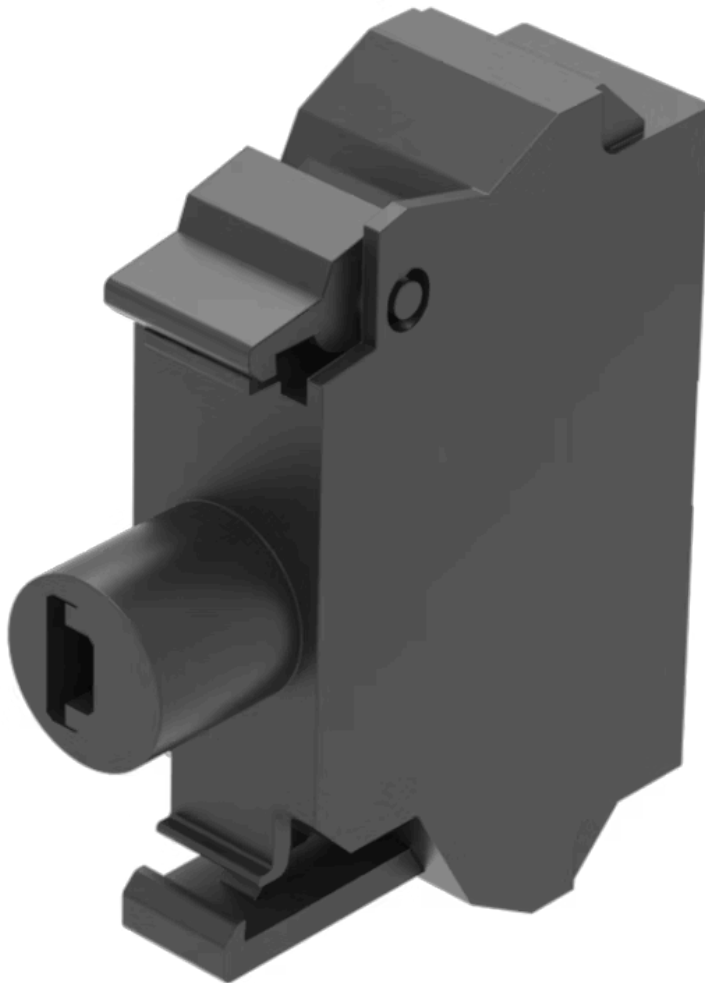


Illumination element

45-320.1E42



<https://eao.com/p/45-320.1E42>

Your product:



45-320.1E42 Illumination element

MOUNTING

Component mounting type: Front mounting

OPERATING-/INDICATION PART

Illumination colour: Red

ELECTRICAL CHARACTERISTICS

Operating voltage: 24 - 240 V AC/DC

Surge voltage resistance: 4 kV

Lumi. Intensity: 450 - 1120 mcd

MECHANICAL CHARACTERISTIC

Terminal: Spring-type terminal

Weight: 0.01 kg

CERTIFICATE

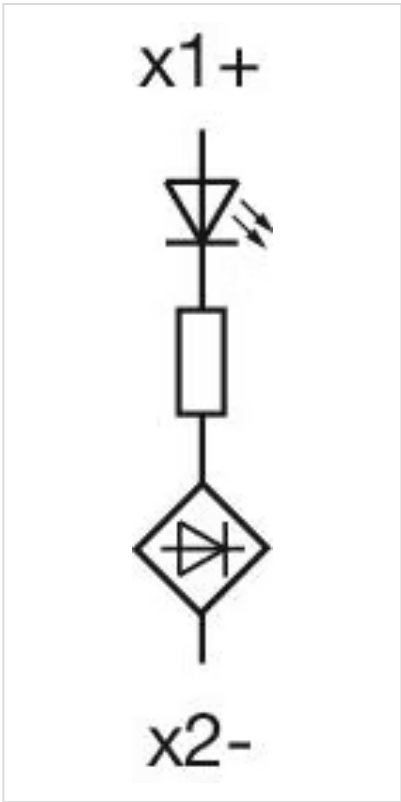
REACH: REACH compliant

RoHS: RoHS compliant

OTHER

Short Description: Illumination element, Spring-type terminal, Red, 24 - 240 V AC/DC, Front mounting

Wiring diagrams:



Dimension drawings:

