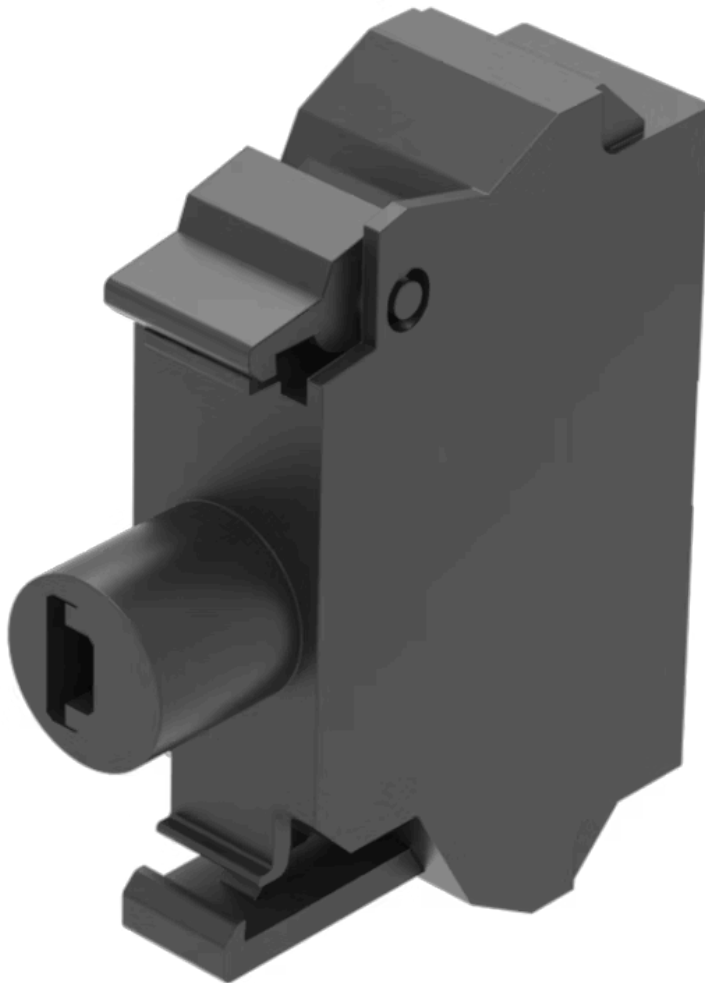


# Illumination element

45-320.1H41



<https://www.eao.com/component/45-320.1H41/en/...>

Your product:

---



## 45-320.1H41 Illumination element

### MOUNTING

**Component mounting type:** Front mounting

### OPERATING-/INDICATION PART

**Illumination colour:** Green

### ELECTRICAL CHARACTERISTICS

**Operating voltage:** 6 - 24 V AC/DC

**Surge voltage resistance:** 4 kV

**Lumi. Intensity:** 900 - 1400 mcd

### MECHANICAL CHARACTERISTICS

**Terminal:** Spring-type terminal

**Terminal details 1:**  
Solid 2 x (0.25 ... 1.5mm<sup>2</sup>)  
Finely stranded  
– Without end sleeves 2 x (0.5 ... 1.5 mm<sup>2</sup>)  
– With end sleeves 2 x (0.5 ... 0.75 mm<sup>2</sup>)  
– For AWG cables for auxiliary contacts 2 x (24 ... 16)

**Weight:** 0.008 kg

### CERTIFICATE

**REACH:** REACH compliant

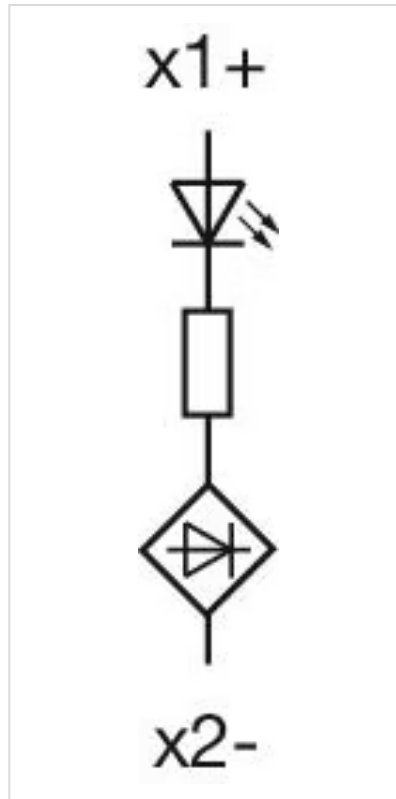
**RoHS:** RoHS compliant

### OTHER

**Short Description:**

Illumination element, Spring-type terminal, Green, 6 - 24 V AC/DC, Front mounting

**Wiring diagrams:**



**Dimension drawings:**

