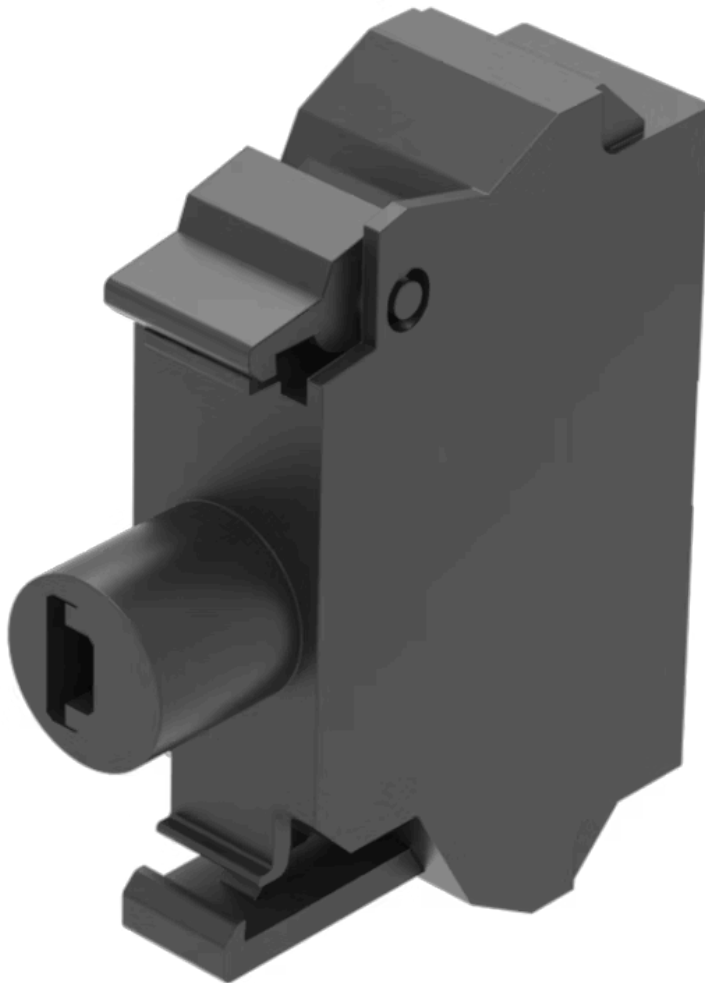


Illumination element

45-320.1H48



<https://eao.com/p/45-320.1H48>

Your product:



45-320.1H48 Illumination element

MOUNTING

Component mounting type: Front mounting

OPERATING-/INDICATION PART

Illumination colour: Green

ELECTRICAL CHARACTERISTICS

Operating voltage: 230 V AC

Surge voltage resistance: 4 kV

Lumi. Intensity: 900 - 1400 mcd

MECHANICAL CHARACTERISTIC

Terminal: Spring-type terminal

Weight: 0.01 kg

CERTIFICATE

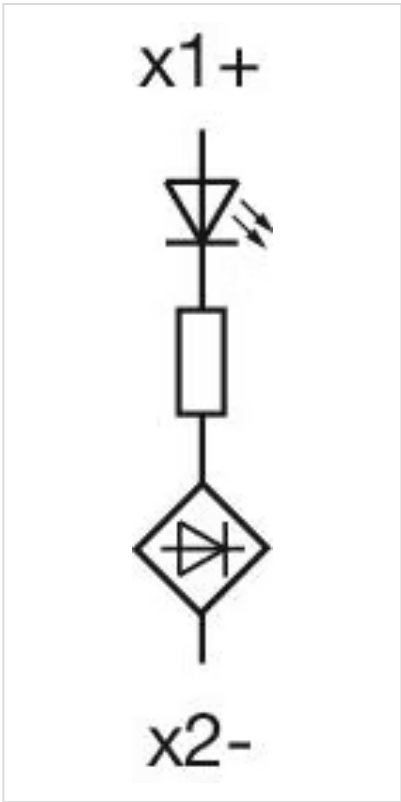
REACH: REACH compliant

RoHS: RoHS compliant

OTHER

Short Description: Illumination element, Spring-type terminal, Green, 230 V AC, Front mounting

Wiring diagrams:



Dimension drawings:

