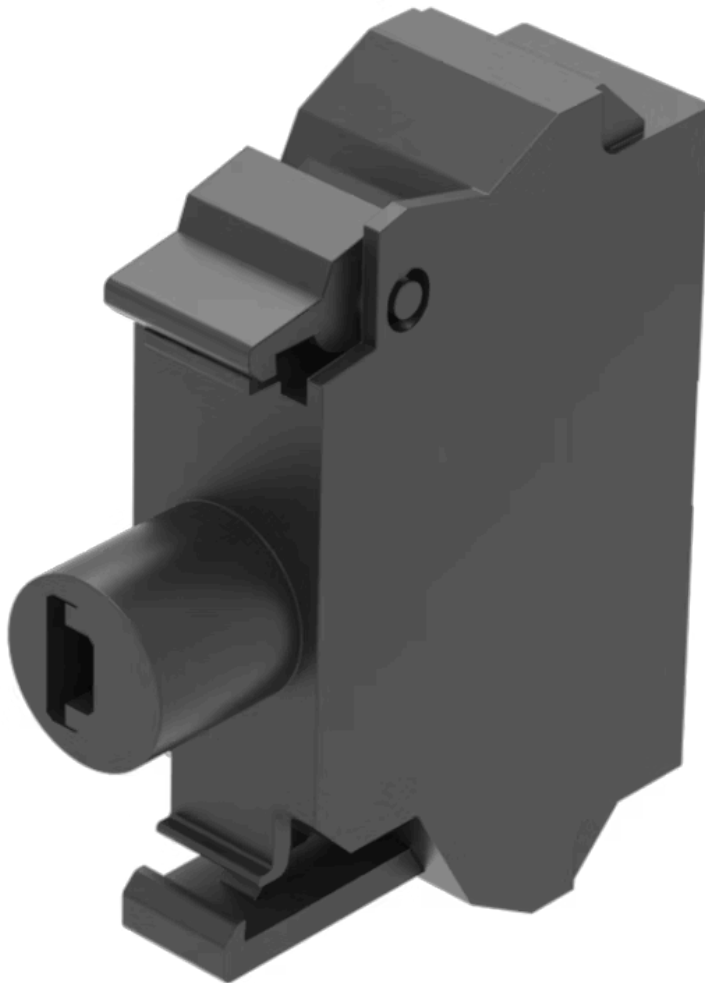


# Illumination element

45-320.1J48



<https://eao.com/p/45-320.1J48>

Your product:

---



## 45-320.1J48

### Illumination element

#### MOUNTING

**Component mounting type:** Front mounting

#### OPERATING-/INDICATION PART

**Illumination colour:** Blue

#### ELECTRICAL CHARACTERISTICS

**Operating voltage:** 230 V AC

**Surge voltage resistance:** 4 kV

**Lumi. Intensity:** 280 - 710 mcd

#### MECHANICAL CHARACTERISTIC

**Terminal:** Spring-type terminal

**Weight:** 0.01 kg

#### CERTIFICATE

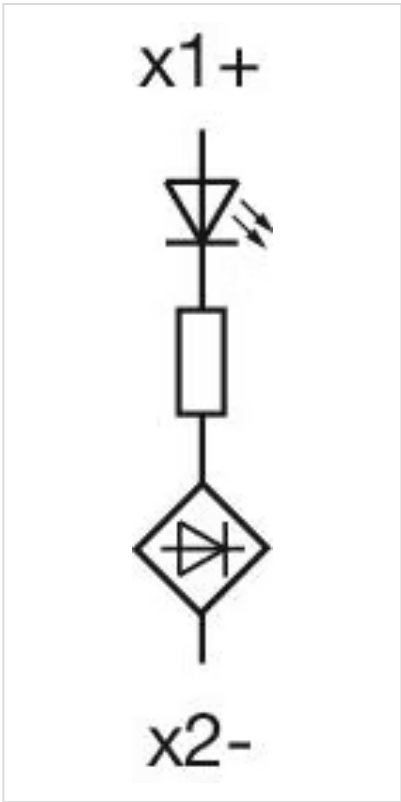
**REACH:** REACH compliant

**RoHS:** RoHS compliant

#### OTHER

**Short Description:** Illumination element, Spring-type terminal, Blue, 230 V AC, Front mounting

**Wiring diagrams:**



Dimension drawings:

