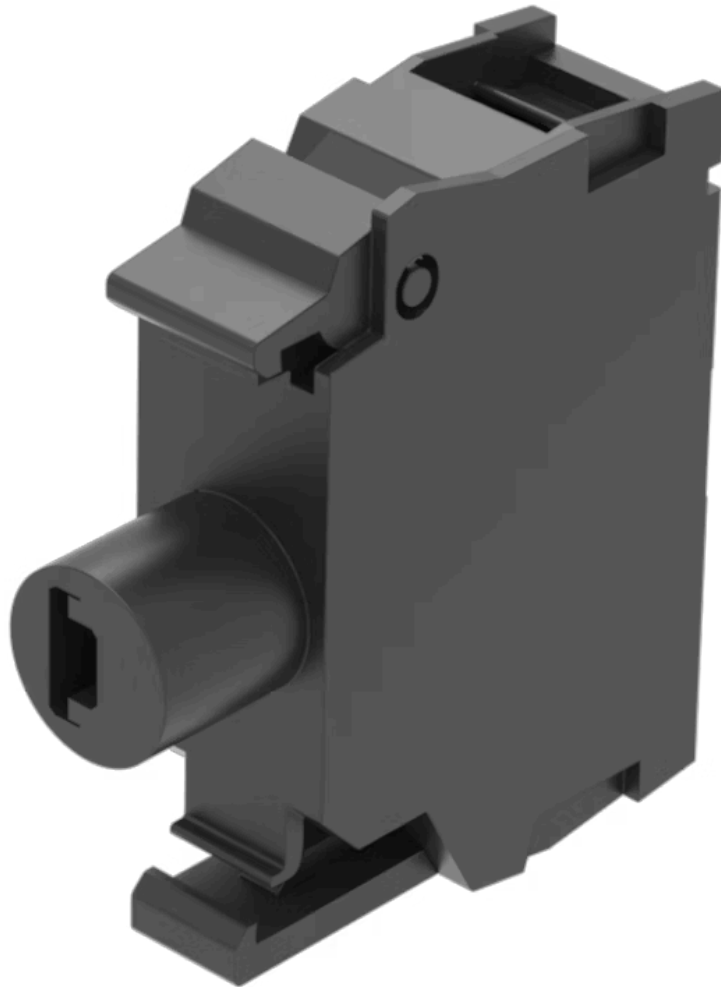


Illumination element

45-320.1N16



<https://eao.com/p/45-320.1N16>

Your product:



45-320.1N16 Illumination element

MOUNTING

Component mounting type: Front mounting

OPERATING-/INDICATION PART

Illumination colour: White

ELECTRICAL CHARACTERISTICS

Operating voltage: 24 V AC/DC

Surge voltage resistance: 4 kV

Lumi. Intensity: 900 - 1400 mcd

MECHANICAL CHARACTERISTIC

Terminal: Screw terminal

Weight: 0.009 kg

CERTIFICATE

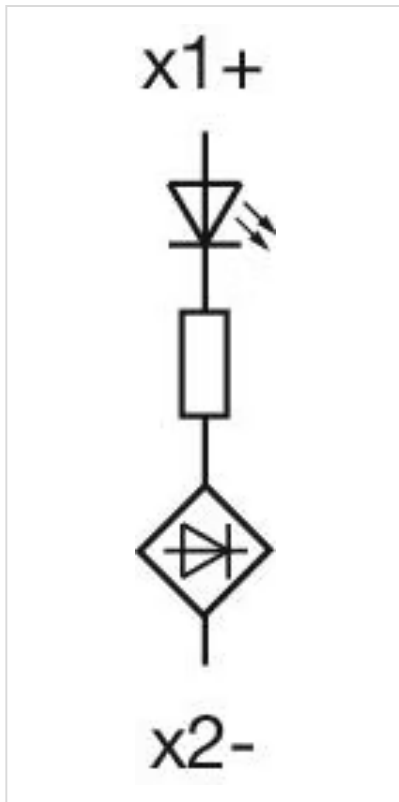
REACH: REACH compliant

RoHS: RoHS compliant

OTHER

Short Description: Illumination element, Screw terminal, White, 24 V AC/DC, Front mounting

Wiring diagrams:



Dimension drawings:

