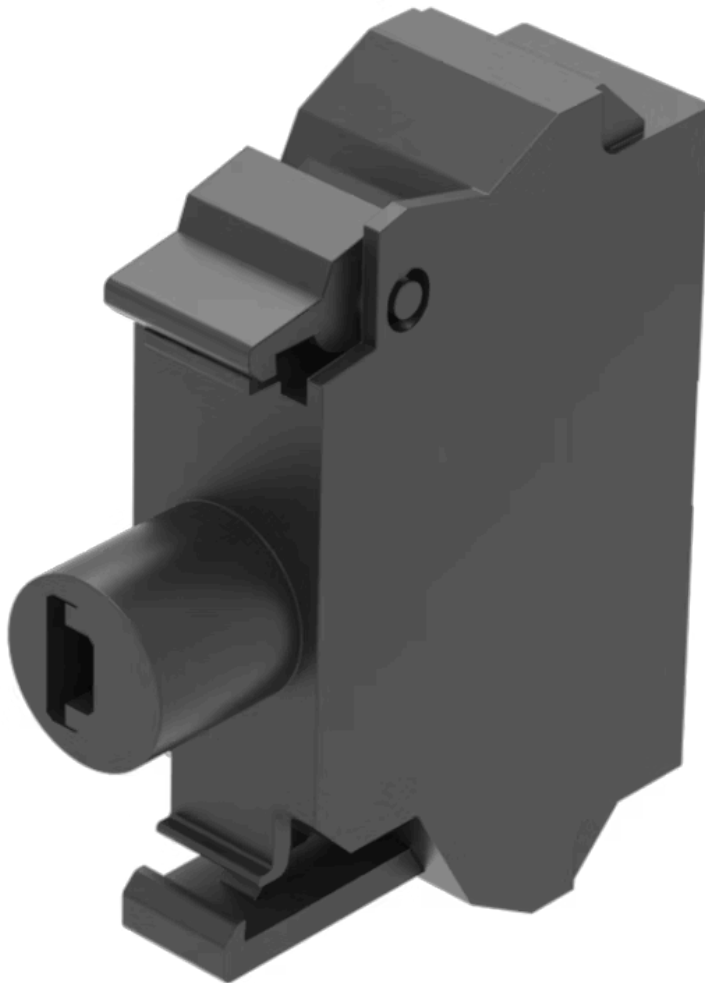


Illumination element

45-320.1N46



<https://www.eao.com/p/45-320.1N46>

Your product:



45-320.1N46

Illumination element

MOUNTING

Component mounting type: Front mounting

OPERATING-/INDICATION PART

Illumination colour: White

ELECTRICAL CHARACTERISTICS

Operating voltage: 24 V AC/DC

Surge voltage resistance: 4 kV

Lumi. Intensity: 900 - 1400 mcd

MECHANICAL CHARACTERISTIC

Terminal: Spring-type terminal

Terminal details 1:
Solid 2 x (0.25 ... 1.5mm²)
Finely stranded
– Without end sleeves 2 x (0.5 ... 1.5 mm²)
– With end sleeves 2 x (0.5 ... 0.75 mm²)
– For AWG cables for auxiliary contacts 2 x (24 ... 16)

Weight: 0.009 kg

CERTIFICATE

REACH: REACH compliant

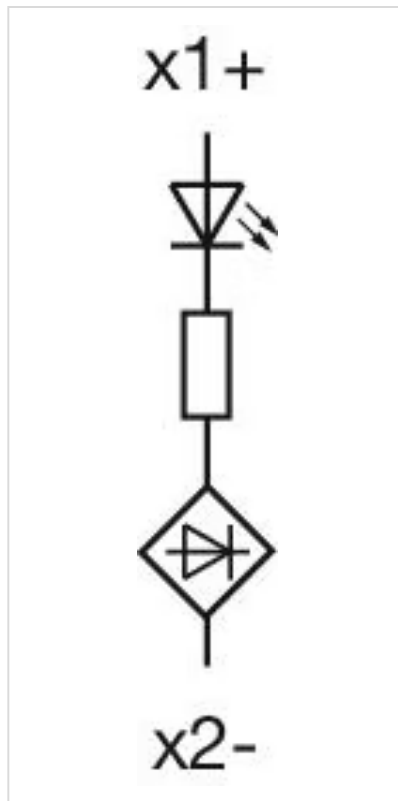
RoHS: RoHS compliant

OTHER

Short Description:

Illumination element, Spring-type terminal, White, 24 V AC/DC, Front mounting

Wiring diagrams:



Dimension drawings:

