

# Actuator

46-  
2134.1150.000



<https://www.eao.com/p/46-2134.1150.000>

Your product:

---



## 46-2134.1150.000 Actuator

### FRONT

<b>Front dimension:</b>	Ø 29 mm
<b>Front form:</b>	Round
<b>Front bezel colour:</b>	Black
<b>Front bezel material:</b>	Plastic

### MOUNTING

<b>Design:</b>	Raised
<b>Mounting cut-out:</b>	Ø 22.3 mm
<b>Mounting type:</b>	Panel mounting

### OPERATING-/INDICATION PART

<b>Lens colour:</b>	Green
<b>Lens material:</b>	Plastic
<b>Lens illumination:</b>	Non illuminated
<b>Lens shape:</b>	Flush
<b>Lens optics:</b>	opaque
<b>Lens type:</b>	Level with front bezel

### ELECTRICAL CHARACTERISTICS

<b>Switching rating:</b>	
<b>Protection class:</b>	II

## MECHANICAL CHARACTERISTIC

<b>Switching action:</b>	Maintained
<b>Mechanical lifetime:</b>	500 000 cycles of operation
<b>Tightening torque:</b>	2 ... 3 Nm (17.7 ... 26.6 Lb-in)
<b>Weight:</b>	0.019 kg

## AMBIENT CONDITION

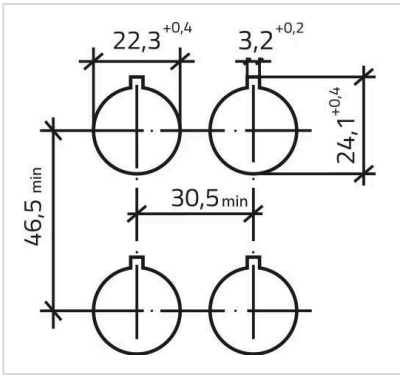
<b>IP front protection:</b>	IP65
<b>IK front protection:</b>	IK03
<b>Operating temperature:</b>	- 25 °C ... + 55 °C
<b>Shock resistance:</b>	30g, 18ms (EN-IEC 60068-2-27) 50g, 11ms (EN-IEC 60068-2-27)
<b>Vibration resistance:</b>	5g f= 2...500Hz (EN-IEC 60068-2-6)
<b>Climate resistance:</b>	+25°C-97%RH / +45°C-93%RH (IEC-EN60068-2-30)

## CERTIFICATE

<b>Approbations:</b>	CSA, EAC, UL
<b>Conformities:</b>	CE
<b>REACH:</b>	REACH compliant
<b>RoHS:</b>	RoHS compliant
<b>Standards:</b>	CSA C22-2, IEC EN 60947-1, IEC EN 60947-5-1, UL508

## OTHER

<b>Short Description:</b>	Actuator, Ø 22.3 mm, Ø 29 mm, Flush, Non illuminated, Green, Plastic, opaque, Round, Black, Plastic, Maintained, IP65, IK03
<b>Housing colour:</b>	Black
<b>Housing material:</b>	Plastic
<b>max. number of switching elements:</b>	4
<b>Mounting cut-outs:</b>	



**Dimension drawings:**

