

Actuator

46-
2231.4FE0.000



<https://eao.com/p/46-2231.4FE0.000>

Your product:



46-2231.4FE0.000 Actuator

FRONT

Front dimension:	Ø 35 mm
Front form:	round
Front bezel colour:	Silver
Front bezel material:	Aluminium

MOUNTING

Design:	flush
Mounting cut-out:	Ø 30.5 mm
Mounting type:	Panel mounting

OPERATING-/INDICATION PART

Lens colour:	Red
Lens material:	Plastic
Lens illumination:	illuminative
Lens shape:	flush
Lens optics:	transparent

ELECTRICAL CHARACTERISTICS

Protection class:	I
--------------------------	---

MECHANICAL CHARACTERISTIC

Switching action:	Momentary
--------------------------	-----------

Mechanical lifetime: 1 Mio. cycles of operation
Tightening torque: 2 ... 3 Nm (17.7 ... 26.6 Lb-in)
Weight: 0.035 kg

AMBIENT CONDITION

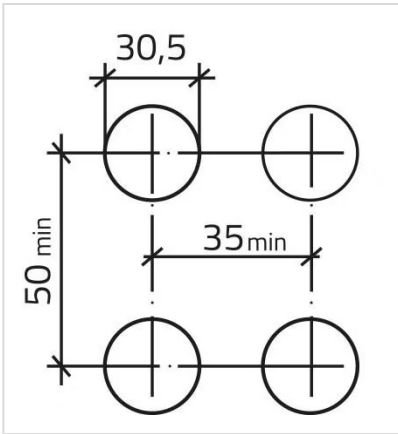
IP front protection: IP65
IK front protection: IK04
Operating temperature: - 25 °C ... + 55 °C
Shock resistance: 30g, 18ms (EN-IEC 60068-2-27)
50g, 11ms (EN-IEC 60068-2-27)
Vibration resistance: 5g f= 2...500Hz (EN-IEC 60068-2-6)
Climate resistance: +25°C-97%RH / +45°C-93%RH (IEC-EN60068-2-30)

CERTIFICATE

Approbations: CSA, UL
Conformities: CE
REACH: REACH compliant
RoHS: RoHS compliant
Standards: CSA C22-2, IEC EN 60947-1, IEC EN 60947-5-1, UL508

OTHER

Short Description: Actuator, Ø 30.5 mm, Ø 35 mm, flush, illuminative, Red, Plastic, transparent, round, Silver, Aluminium, Momentary, IP65, IK04
Housing colour: Black
Housing material: Plastic
max. number of switching elements: 6
Mounting cut-outs:



Dimension drawings:

