

Actuator

46-
2231.4FH0.000



<https://www.eao.com/p/46-2231.4FH0.000>

Your product:



46-2231.4FH0.000 Actuator

FRONT

Front dimension:	Ø 35 mm
Front form:	Round
Front bezel colour:	Silver
Front bezel material:	Aluminium

MOUNTING

Design:	Flush
Mounting cut-out:	Ø 30.5 mm
Mounting type:	Panel mounting

OPERATING-/INDICATION PART

Lens colour:	Green
Lens material:	Plastic
Lens illumination:	Illuminated
Lens shape:	Flush
Lens optics:	transparent

ELECTRICAL CHARACTERISTICS

Switching rating:	
Protection class:	I

MECHANICAL CHARACTERISTIC

Switching action:	Momentary
Mechanical lifetime:	1 Mil. cycles of operation
Tightening torque:	2 ... 3 Nm (17.7 ... 26.6 Lb-in)
Weight:	0.035 kg

AMBIENT CONDITION

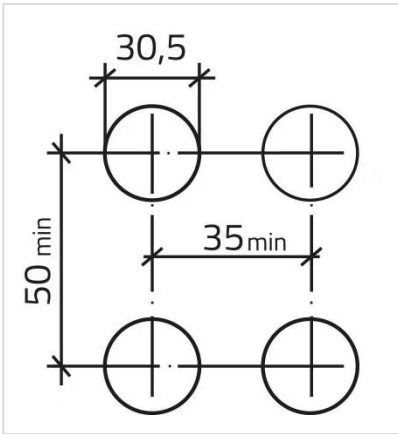
IP front protection:	IP65
IK front protection:	IK04
Operating temperature:	- 25 °C ... + 55 °C
Shock resistance:	30g, 18ms (EN-IEC 60068-2-27) 50g, 11ms (EN-IEC 60068-2-27)
Vibration resistance:	5g f= 2...500Hz (EN-IEC 60068-2-6)
Climate resistance:	+25°C-97%RH / +45°C-93%RH (IEC-EN60068-2-30)

CERTIFICATE

Approbations:	CSA, UL
Conformities:	CE
REACH:	REACH compliant
RoHS:	RoHS compliant
Standards:	CSA C22-2, IEC EN 60947-1, IEC EN 60947-5-1, UL508

OTHER

Short Description:	Actuator, Ø 30.5 mm, Ø 35 mm, Flush, Illuminated, Green, Plastic, transparent, Round, Silver, Aluminium, Momentary, IP65, IK04
Housing colour:	Black
Housing material:	Plastic
max. number of switching elements:	6
Mounting cut-outs:	



Dimension drawings:

