

# Actuator

46-  
2234.4FE0.000



<https://eao.com/p/46-2234.4FE0.000>

Your product:

---



## 46-2234.4FE0.000 Actuator

### FRONT

<b>Front dimension:</b>	Ø 35 mm
<b>Front form:</b>	round
<b>Front bezel colour:</b>	Silver
<b>Front bezel material:</b>	Aluminium

### MOUNTING

<b>Design:</b>	flush
<b>Mounting cut-out:</b>	Ø 30.5 mm
<b>Mounting type:</b>	Panel mounting

### OPERATING-/INDICATION PART

<b>Lens colour:</b>	Red
<b>Lens material:</b>	Plastic
<b>Lens illumination:</b>	illuminative
<b>Lens shape:</b>	flush
<b>Lens optics:</b>	transparent

### ELECTRICAL CHARACTERISTICS

<b>Protection class:</b>	I
--------------------------	---

### MECHANICAL CHARACTERISTIC

<b>Switching action:</b>	Maintained
--------------------------	------------

**Mechanical lifetime:** 500 000 cycles of operation  
**Tightening torque:** 2 ... 3 Nm (17.7 ... 26.6 Lb-in)  
**Weight:** 0.035 kg

#### **AMBIENT CONDITION**

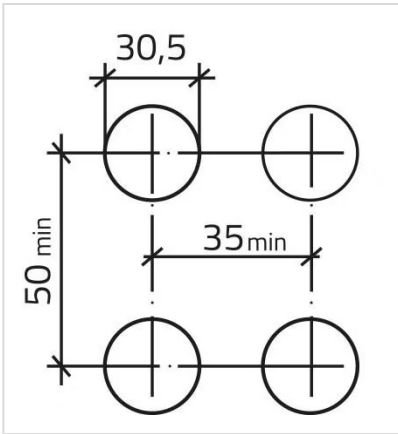
**IP front protection:** IP65  
**IK front protection:** IK04  
**Operating temperature:** - 25 °C ... + 55 °C  
**Shock resistance:** 30g, 18ms (EN-IEC 60068-2-27)  
50g, 11ms (EN-IEC 60068-2-27)  
**Vibration resistance:** 5g f= 2...500Hz (EN-IEC 60068-2-6)  
**Climate resistance:** +25°C-97%RH / +45°C-93%RH (IEC-EN60068-2-30)

#### **CERTIFICATE**

**Approbations:** CSA, UL  
**Conformities:** CE  
**REACH:** REACH compliant  
**RoHS:** RoHS compliant  
**Standards:** CSA C22-2, IEC EN 60947-1, IEC EN 60947-5-1, UL508

#### **OTHER**

**Short Description:** Actuator, Ø 30.5 mm, Ø 35 mm, flush, illuminative, Red, Plastic, transparent, round, Silver, Aluminium, Maintained, IP65, IK04  
**Housing colour:** Black  
**Housing material:** Plastic  
**max. number of switching elements:** 4  
**Mounting cut-outs:**



**Dimension drawings:**

