

Actuator

46-
2819.1EX0.008



<https://www.eao.com/p/46-2819.1EX0.008>

Your product:



46-2819.1EX0.008 Actuator

FRONT

Front dimension:	Ø 29 mm
Front form:	Round
Front bezel colour:	Black
Front bezel material:	Plastic

MOUNTING

Design:	Raised
Mounting cut-out:	Ø 22.3 mm
Mounting type:	Panel mounting

OPERATING-/INDICATION PART

Lever colour:	Black
Lever bar colour:	Green
Lever material:	plastic
Lever shape:	short

ELECTRICAL CHARACTERISTICS

Switching rating:	
Protection class:	II

MECHANICAL CHARACTERISTIC

Switching action:	Maintained - Rest - Maintained
--------------------------	--------------------------------

Switching positions:	3 positions
Switching angle:	60° left / 60° right
Mechanical lifetime:	1 Mil. cycles of operation
Tightening torque:	2 ... 3 Nm (17.7 ... 26.6 Lb-in)
Weight:	0.027 kg

AMBIENT CONDITION

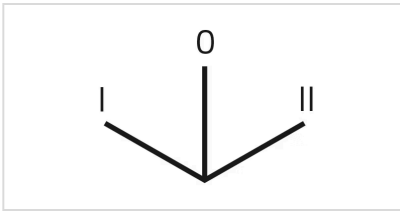
IP front protection:	IP65
IK front protection:	IK06
Operating temperature:	- 25 °C ... + 55 °C
Shock resistance:	30g, 18ms (EN-IEC 60068-2-27) 50g, 11ms (EN-IEC 60068-2-27)
Vibration resistance:	5g f= 2...500Hz (EN-IEC 60068-2-6)
Climate resistance:	+25°C-97%RH / +45°C-93%RH (IEC-EN60068-2-30)

CERTIFICATE

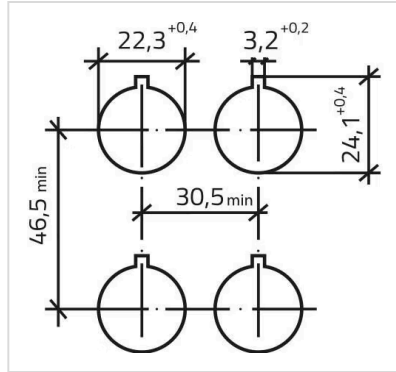
Approbations:	CSA, EAC, UL
Conformities:	CE
REACH:	REACH compliant
RoHS:	RoHS compliant
Standards:	CSA C22-2, IEC EN 60947-1, IEC EN 60947-5-1, UL508

OTHER

Short Description:	Actuator, Ø 22.3 mm, Ø 29 mm, non illuminative, Black, short, Round, Black, Plastic, Maintained - Rest - Maintained, IP65, IK06
Housing colour:	Black
Housing material:	Plastic
max. number of switching elements:	8
Switching positions:	



Mounting cut-outs:



Dimension drawings:

