

# Actuator

46-  
2828.4CV0.001



<https://eao.com/p/46-2828.4CV0.001>

Your product:

---



## 46-2828.4CV0.001 Actuator

### FRONT

<b>Front dimension:</b>	Ø 35 mm
<b>Front form:</b>	round
<b>Front bezel colour:</b>	Silver
<b>Front bezel material:</b>	Aluminium

### MOUNTING

<b>Design:</b>	flush
<b>Mounting cut-out:</b>	Ø 30.5 mm
<b>Mounting type:</b>	Panel mounting

### OPERATING-/INDICATION PART

<b>Lever colour:</b>	Black
<b>Lever bar colour:</b>	White
<b>Lever material:</b>	plastic
<b>Lever shape:</b>	short

### ELECTRICAL CHARACTERISTICS

<b>Protection class:</b>	I
--------------------------	---

### MECHANICAL CHARACTERISTIC

<b>Switching action:</b>	Maintained - Maintained
<b>Switching positions:</b>	2 positions

<b>Switching angle:</b>	90°
<b>Mechanical lifetime:</b>	1 Mio. cycles of operation
<b>Tightening torque:</b>	2 ... 3 Nm (17.7 ... 26.6 Lb-in)
<b>Weight:</b>	0.039 kg

### AMBIENT CONDITION

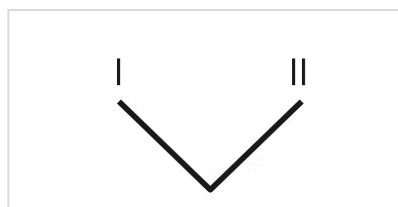
<b>IP front protection:</b>	IP65
<b>IK front protection:</b>	IK04
<b>Operating temperature:</b>	- 25 °C ... + 55 °C
<b>Shock resistance:</b>	30g, 18ms (EN-IEC 60068-2-27) 50g, 11ms (EN-IEC 60068-2-27)
<b>Vibration resistance:</b>	5g f= 2...500Hz (EN-IEC 60068-2-6)
<b>Climate resistance:</b>	+25°C-97%RH / +45°C-93%RH (IEC-EN60068-2-30)

### CERTIFICATE

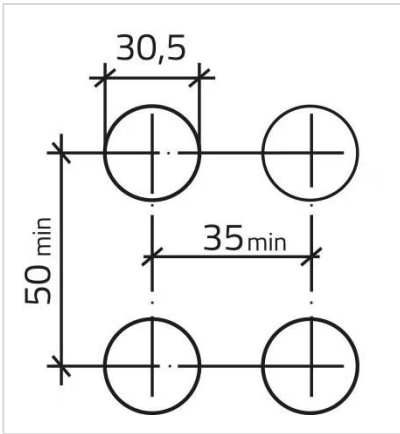
<b>Approbations:</b>	CSA, UL
<b>Conformities:</b>	CE
<b>REACH:</b>	REACH compliant
<b>RoHS:</b>	RoHS compliant
<b>Standards:</b>	CSA C22-2, IEC EN 60947-1, IEC EN 60947-5-1, UL508

### OTHER

<b>Short Description:</b>	Actuator, Ø 30.5 mm, Ø 35 mm, non illuminative, Black, short, round, Silver, Aluminium, Maintained - Maintained, IP65, IK04
<b>Housing colour:</b>	Black
<b>Housing material:</b>	Plastic
<b>max. number of switching elements:</b>	6
<b>Switching positions:</b>	



**Mounting cut-outs:**



**Dimension drawings:**

