

Actuator

46-
2T00.10J0.000



<https://www.eao.com/p/46-2T00.10J0.000>

Your product:



46-2T00.10J0.000 Actuator

FRONT

Front dimension:	Ø 29 mm
Front form:	Round
Front bezel colour:	White
Front bezel material:	Plastic

MOUNTING

Design:	Raised
Mounting cut-out:	Ø 22.3 mm
Mounting type:	Panel mounting

OPERATING-/INDICATION PART

Lens cap colour:	Blue
Lens cap material:	Plastic
Lens cap shape:	flush
Lens cap optical effect:	transparent
Illumination colour:	Blue

ELECTRICAL CHARACTERISTICS

Switching rating:	
Protection class:	II

MECHANICAL CHARACTERISTIC

Tightening torque: 1 ... 2.5 Nm (8.8 ... 22.1 Lb-in)

Weight: 0.009 kg

AMBIENT CONDITION

IP front protection: IP65

IK front protection: IK03

Operating temperature: - 25 °C ... + 55 °C

Shock resistance: 30g, 18ms (EN-IEC 60068-2-27)
50g, 11ms (EN-IEC 60068-2-27)

Vibration resistance: 5g f= 2...500Hz (EN-IEC 60068-2-6)

Climate resistance: +25°C-97%RH / +45°C-93%RH (IEC-EN60068-2-30)

CERTIFICATE

Approbations: CSA, EAC, UL

Conformities: CE

REACH: REACH compliant

RoHS: RoHS compliant

Standards: CSA C22-2, IEC EN 60947-1, IEC EN 60947-5-1, UL508

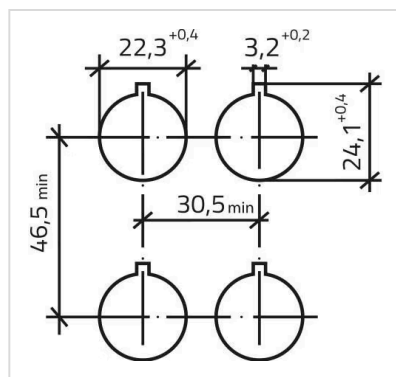
OTHER

Short Description: Actuator, Ø 22.3 mm, Ø 29 mm, Round, White, Plastic, IP65, IK03, Blue

Housing colour: White

Housing material: Plastic

Mounting cut-outs:



Dimension drawings:

