

Actuator

46-
2W28.4CE0.001



<https://eao.com/p/46-2W28.4CE0.001>

Your product:



46-2W28.4CE0.001 Actuator

FRONT

Front dimension:	Ø 35 mm
Front form:	round
Front bezel colour:	Silver
Front bezel material:	Aluminium

MOUNTING

Design:	flush
Mounting cut-out:	Ø 30.5 mm
Mounting type:	Panel mounting

OPERATING-/INDICATION PART

Lever colour:	Red
Lever bar colour:	White
Lever material:	plastic
Lever shape:	short

ELECTRICAL CHARACTERISTICS

Protection class:	I
--------------------------	---

MECHANICAL CHARACTERISTIC

Switching action:	Maintained - Maintained
Switching positions:	2 positions

Switching angle:	90°
Mechanical lifetime:	1 Mio. cycles of operation
Tightening torque:	2 ... 3 Nm (17.7 ... 26.6 Lb-in)
Weight:	0.036 kg

AMBIENT CONDITION

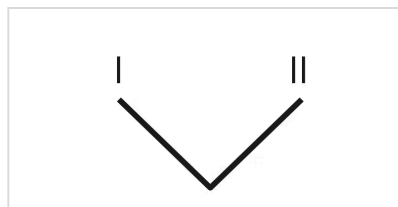
IP front protection:	IP65
IK front protection:	IK04
Operating temperature:	- 25 °C ... + 55 °C
Shock resistance:	30g, 18ms (EN-IEC 60068-2-27) 50g, 11ms (EN-IEC 60068-2-27)
Vibration resistance:	5g f= 2...500Hz (EN-IEC 60068-2-6)
Climate resistance:	+25°C-97%RH / +45°C-93%RH (IEC-EN60068-2-30)

CERTIFICATE

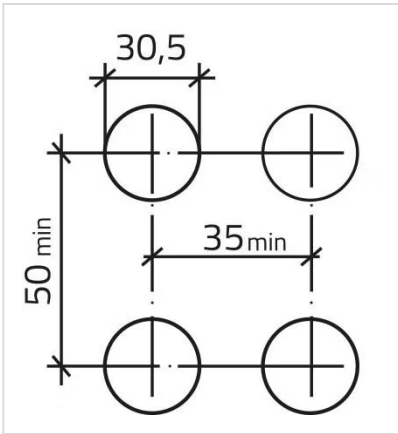
Approbations:	CSA, UL
Conformities:	CE
REACH:	REACH compliant
RoHS:	RoHS compliant
Standards:	CSA C22-2, IEC EN 60947-1, IEC EN 60947-5-1, UL508

OTHER

Short Description:	Actuator, Ø 30.5 mm, Ø 35 mm, illuminative, Red, short, round, Silver, Aluminium, Maintained - Maintained, IP65, IK04
Housing colour:	Black
Housing material:	Plastic
max. number of switching elements:	4
Switching positions:	



Mounting cut-outs:



Dimension drawings:

