

Actuator

46-
2W28.4CH0.001



<https://eao.com/p/46-2W28.4CH0.001>

Your product:



46-2W28.4CH0.001 Actuator

FRONT

| | |
|------------------------------|-----------|
| Front dimension: | Ø 35 mm |
| Front form: | round |
| Front bezel colour: | Silver |
| Front bezel material: | Aluminium |

MOUNTING

| | |
|--------------------------|----------------|
| Design: | flush |
| Mounting cut-out: | Ø 30.5 mm |
| Mounting type: | Panel mounting |

OPERATING-/INDICATION PART

| | |
|--------------------------|---------|
| Lever colour: | Green |
| Lever bar colour: | White |
| Lever material: | plastic |
| Lever shape: | short |

ELECTRICAL CHARACTERISTICS

| | |
|--------------------------|---|
| Protection class: | I |
|--------------------------|---|

MECHANICAL CHARACTERISTIC

| | |
|-----------------------------|-------------------------|
| Switching action: | Maintained - Maintained |
| Switching positions: | 2 positions |

| | |
|-----------------------------|----------------------------------|
| Switching angle: | 90° |
| Mechanical lifetime: | 1 Mio. cycles of operation |
| Tightening torque: | 2 ... 3 Nm (17.7 ... 26.6 Lb-in) |
| Weight: | 0.036 kg |

AMBIENT CONDITION

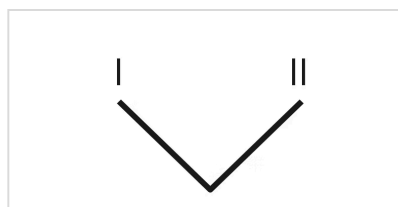
| | |
|-------------------------------|--|
| IP front protection: | IP65 |
| IK front protection: | IK04 |
| Operating temperature: | - 25 °C ... + 55 °C |
| Shock resistance: | 30g, 18ms (EN-IEC 60068-2-27) 50g, 11ms (EN-IEC 60068-2-27) |
| Vibration resistance: | 5g f= 2...500Hz (EN-IEC 60068-2-6) |
| Climate resistance: | +25°C-97%RH / +45°C-93%RH (IEC-EN60068-2-30) |

CERTIFICATE

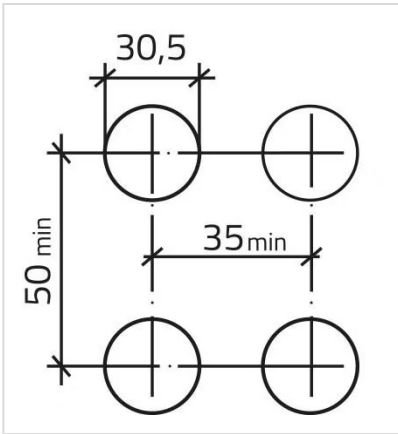
| | |
|----------------------|--|
| Approbations: | CSA, UL |
| Conformities: | CE |
| REACH: | REACH compliant |
| RoHS: | RoHS compliant |
| Standards: | CSA C22-2, IEC EN 60947-1, IEC EN 60947-5-1, UL508 |

OTHER

| | |
|---|---|
| Short Description: | Actuator, Ø 30.5 mm, Ø 35 mm, illuminative, Green, short, round, Silver, Aluminium, Maintained - Maintained, IP65, IK04 |
| Housing colour: | Black |
| Housing material: | Plastic |
| max. number of switching elements: | 4 |
| Switching positions: | |



Mounting cut-outs:



Dimension drawings:

