

Actuator

46-
2Y49.101C.000



<https://www.eao.com/p/46-2Y49.101C.000>

Your product:



46-2Y49.101C.000 Actuator

FRONT

Front dimension:	Ø 29 mm
Front form:	Round
Front bezel colour:	Black
Front bezel material:	Plastic

MOUNTING

Design:	Raised
Mounting cut-out:	Ø 22.3 mm
Mounting type:	Panel mounting

ELECTRICAL CHARACTERISTICS

Contact resistance:	<30mOhm
Insulation voltage:	>100MOhm
Switching rating:	
Electrical lifetime:	>50 000 h

MECHANICAL CHARATERISTIC

Terminal:	USB 3.0 socket type A-A
Mechanical lifetime:	>15 000 insertion cycles
Tightening torque:	1 ... 2.5 Nm (8.8 ... 22.1 Lb-in)
Weight:	0.024 kg

AMBIENT CONDITION

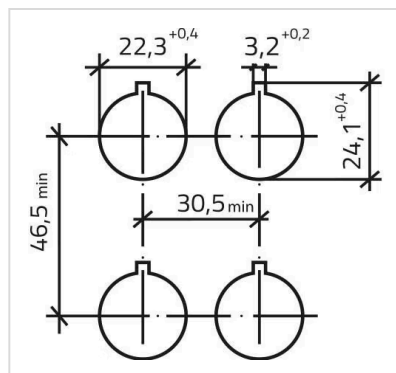
IP front protection:	IP20 / IP66 with cap closed (IEC-EN60529)
Operating temperature:	- 25 °C ... + 55 °C
Shock resistance:	30g, 18ms (EN-IEC 60068-2-27)
Vibration resistance:	5g f= 2...500Hz (EN-IEC 60068-2-6)
Climate resistance:	+40°C-92%RH

CERTIFICATE

Conformities:	CE
REACH:	REACH compliant
RoHS:	RoHS compliant
Standards:	CSA C22-2, IEC EN 60947-1, IEC EN 60947-5-1, UL508, USB 3.0 type A

OTHER

Short Description:	Actuator, Ø 22.3 mm, Ø 29 mm, Round, Black, Plastic, USB 3.0 socket type A-A, IP20 / IP66 with cap closed (IEC-EN60529)
Housing colour:	Black
Housing material:	Plastic
Mounting cut-outs:	



Dimension drawings:

