

# Actuator

46-  
2Y50.101C.000



<https://www.eao.com/p/46-2Y50.101C.000>

Your product:

---



## 46-2Y50.101C.000 Actuator

### FRONT

<b>Front dimension:</b>	Ø 29 mm
<b>Front form:</b>	Round
<b>Front bezel colour:</b>	Black
<b>Front bezel material:</b>	Plastic

### MOUNTING

<b>Design:</b>	Raised
<b>Mounting cut-out:</b>	Ø 22.3 mm
<b>Mounting type:</b>	Panel mounting

### ELECTRICAL CHARACTERISTICS

<b>Contact resistance:</b>	<30mOhm
<b>Insulation voltage:</b>	>100MOhm
<b>Switching rating:</b>	
<b>Electrical lifetime:</b>	>50 000 h

### MECHANICAL CHARACTERISTIC

<b>Terminal:</b>	USB 3.0 socket type C-A
<b>Mechanical lifetime:</b>	>15 000 insertion cycles
<b>Tightening torque:</b>	1 ... 2.5 Nm (8.8 ... 22.1 Lb-in)
<b>Weight:</b>	0.022 kg

## AMBIENT CONDITION

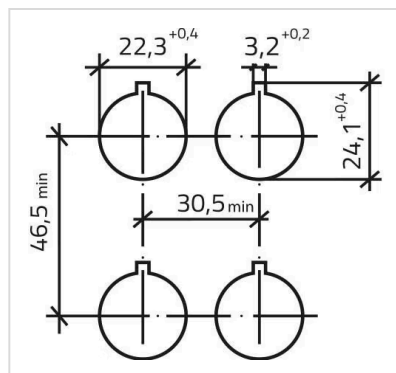
<b>IP front protection:</b>	IP20 / IP66 with cap closed (IEC-EN60529)
<b>Operating temperature:</b>	- 25 °C ... + 55 °C
<b>Shock resistance:</b>	30g, 18ms (EN-IEC 60068-2-27)
<b>Vibration resistance:</b>	5g f= 2...500Hz (EN-IEC 60068-2-6)
<b>Climate resistance:</b>	+40°C-92%RH

## CERTIFICATE

<b>Conformities:</b>	CE
<b>REACH:</b>	REACH compliant
<b>RoHS:</b>	RoHS compliant
<b>Standards:</b>	CSA C22-2, IEC EN 60947-1, IEC EN 60947-5-1, UL508

## OTHER

<b>Short Description:</b>	Actuator, Ø 22.3 mm, Ø 29 mm, Round, Black, Plastic, USB 3.0 socket type C-A, IP20 / IP66 with cap closed (IEC-EN60529)
<b>Housing colour:</b>	Black
<b>Housing material:</b>	Plastic
<b>Mounting cut-outs:</b>	



**Dimension drawings:**

