

Actuator

51-
031.006



<https://www.eao.com/p/51-031.006>

Your product:



51-031.006 Actuator

FRONT

Front dimension: Ø 18 mm

Front form: Round

MOUNTING

Design: Raised

Mounting type: Panel mounting

ELECTRICAL CHARACTERISTICS

Switching voltage and switching current: 100 mA at 42 VAC/VDC

Switching rating:

Electric strength: 2500 VAC, 50 Hz, 1 min. between all terminals and earth, according to IEC 61058-1, part 15

MECHANICAL CHARACTERISTIC

Terminal: Universal terminal, 2 x 0.5 mm

Tightening torque: Fixing nut max. 0.5 Nm

Weight: 0.005 kg

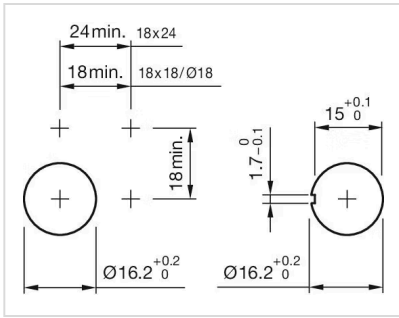
AMBIENT CONDITION

IP front protection: IP65, according to DIN EN 60529

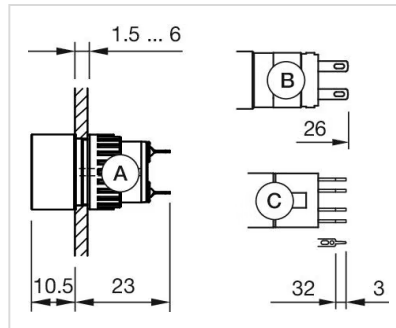
Operating temperature: - 25 °C ... + 55 °C, mounted as a block, make sure the heat can escape freely

Storage temperature: - 40 °C ... + 85 °C

Shock resistance:



Dimension drawings:



- A = Solder terminal
- B = Plug-in terminal 2.8 mm x 0.5 mm
- C = Universal terminal 2.0 mm x 0.5 mm