

# Actuator

51-  
040.005



<https://www.eao.com/component/51-040.005/en/a...>

Your product:

---



## 51-040.005 Actuator

### FRONT

**Front dimension:** 24 mm x 18 mm

**Front form:** Rectangular

### MOUNTING

**Design:** Raised

**Mounting type:** Panel mounting

### ELECTRICAL CHARACTERISTICS

**Switching voltage and switching current:** 100 mA at 42 VAC/VDC

**Electric strength:** 2500 VAC, 50 Hz, 1 min. between all terminals and earth, according to IEC 61058-1, part 15

### MECHANICAL CHARACTERISTICS

**Terminal:** Soldering terminal, 2.8 x 0.5 mm

**Tightening torque:** Fixing nut max. 0.5 Nm

**Weight:** 0.005 kg

### AMBIENT CONDITION

**IP front protection:** IP65, according to DIN EN 60529

**Operating temperature:** – 25 °C ... + 55 °C, mounted as a block, make sure the heat can escape freely

**Storage temperature:** – 40 °C ... + 85 °C

**Shock resistance:** 15 g for 11 ms, as per DIN / EN 60512-4-3, DIN / EN 60068-2-27 (Single impacts, semi-sinusoidal)

#### **CERTIFICATE**

**REACH:** REACH compliant

**RoHS:** RoHS compliant

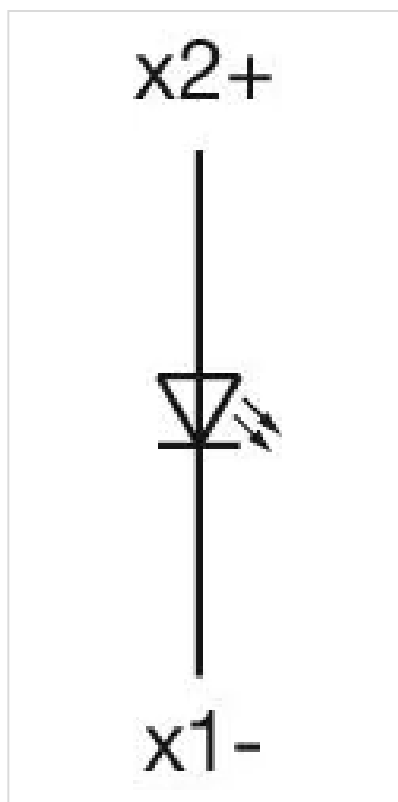
#### **OTHER**

**Short Description:** Actuator, 24 mm x 18 mm, Rectangular, Soldering terminal, 2.8 x 0.5 mm, IP65, according to DIN EN 60529

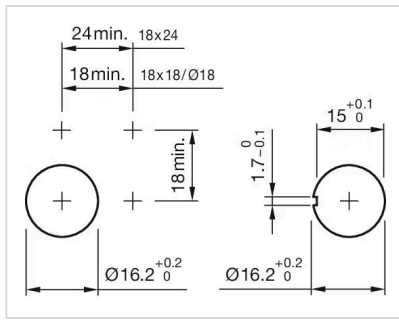
**Internal size:** 21,5 mm x 15,3 mm

**Housing colour:** Black

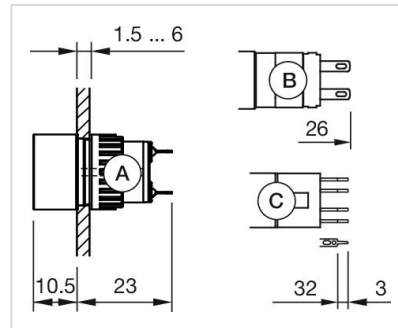
**Wiring diagrams:**



**Mounting cut-outs:**



**Dimension drawings:**



- A = Solder terminal
- B = Plug-in terminal 2.8 mm x 0.5 mm
- C = Universal terminal 2.0 mm x 0.5 mm