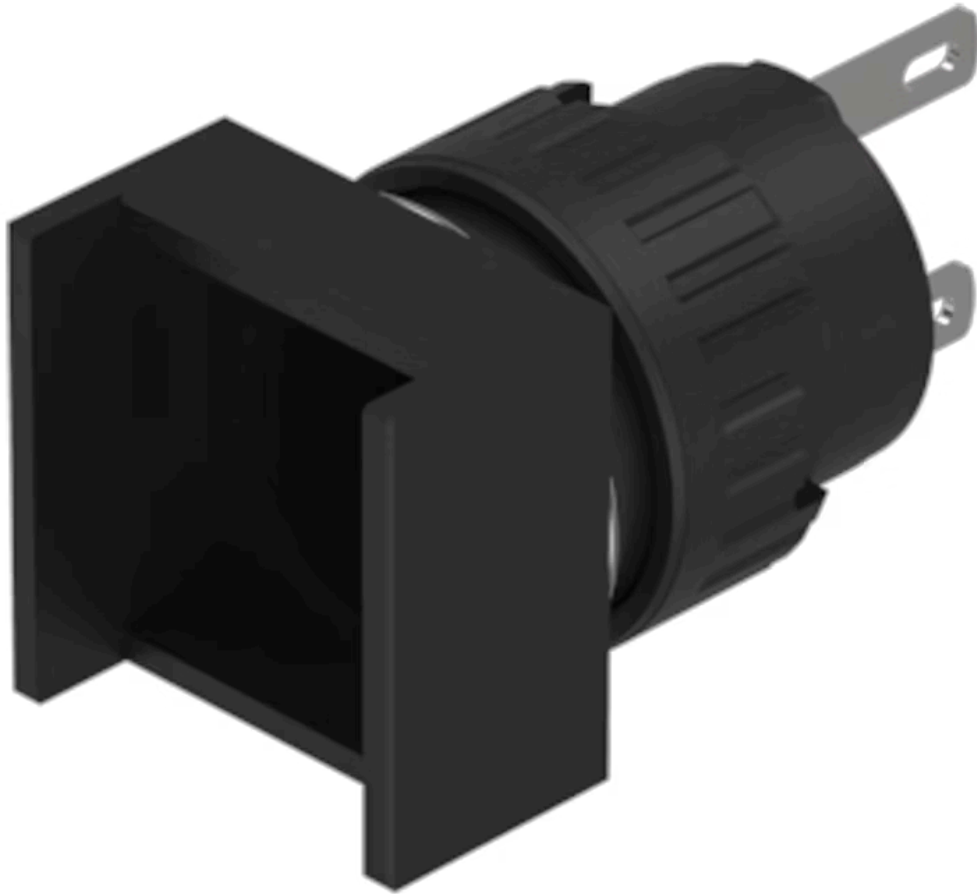


Actuator

51-
050.002



<https://www.eao.com/p/51-050.002>

Your product:



51-050.002 Actuator

FRONT

Front dimension: 18 mm x 18 mm

Front form: Square

MOUNTING

Design: Raised

Mounting type: Panel mounting

ELECTRICAL CHARACTERISTICS

Switching voltage and switching current: 100 mA at 42 VAC/VDC

Switching rating:

Electric strength: 2500 VAC, 50 Hz, 1 min. between all terminals and earth, according to IEC 61058-1, part 15

MECHANICAL CHARACTERISTIC

Terminal: Plug-in terminal, 2.8 x 0.5 mm

Tightening torque: Fixing nut max. 0.5 Nm

Weight: 0.004 kg

AMBIENT CONDITION

IP front protection: IP65, according to DIN EN 60529

Operating temperature: - 25 °C ... + 55 °C, mounted as a block, make sure the heat can escape freely

Storage temperature: - 40 °C ... + 85 °C

Shock resistance:

15 g for 11 ms, as per DIN / EN 60512-4-3, DIN / EN 60068-2-27 (Single impacts, semi-sinusoidal)

CERTIFICATE

REACH: REACH compliant

RoHS: RoHS compliant

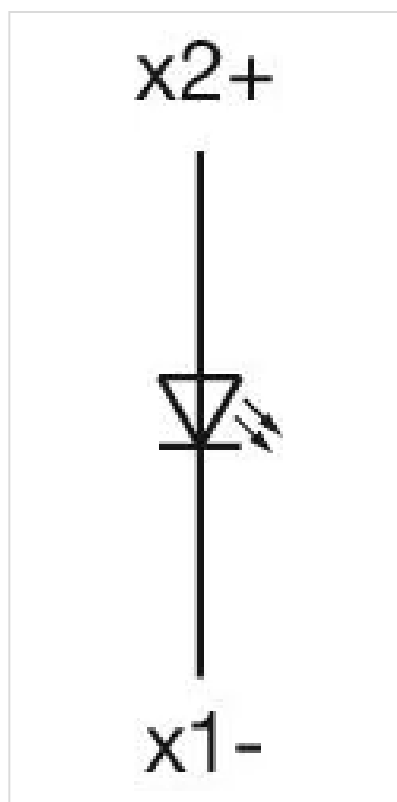
OTHER

Short Description: Actuator, 18 mm x 18 mm, Square, Plug-in terminal, 2.8 x 0.5 mm, IP65, according to DIN EN 60529

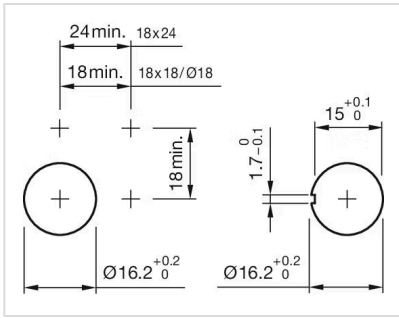
Internal size: 15,3 mm x 15,3 mm

Housing colour: Black

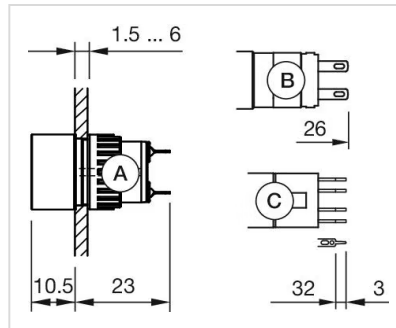
Wiring diagrams:



Mounting cut-outs:



Dimension drawings:



- A = Solder terminal
- B = Plug-in terminal 2.8 mm x 0.5 mm
- C = Universal terminal 2.0 mm x 0.5 mm