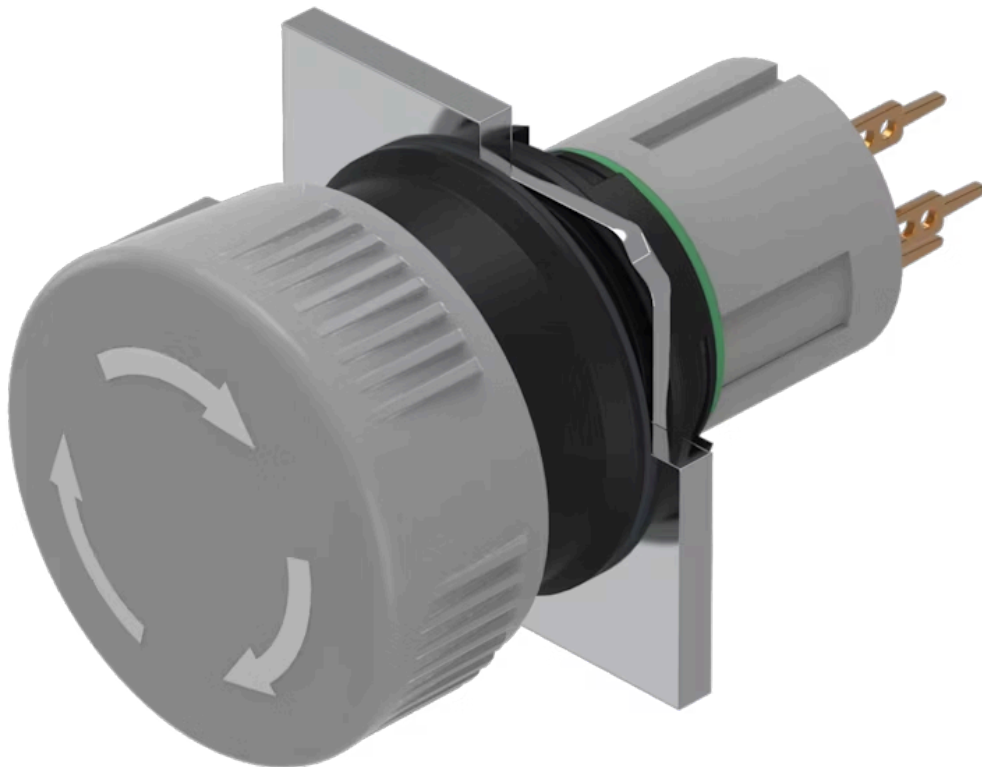


Actuator

51-
252.0268



<https://eao.com/p/51-252.0268>

Your product:



51-252.0268 Actuator

FRONT

Front dimension: Ø 24,5 mm

Front form: round

MOUNTING

Design: raised

Mounting type: Panel mounting

OPERATING-/INDICATION PART

Lens colour: Grey

Lens material: Plastic

Lens illumination: non illuminative

Lens shape: mushroom-head

Lens optics: opaque

ELECTRICAL CHARACTERISTICS

Contacts: 2 NC

Switching voltage and switching current: 100 mA at 42 VAC/VDC

MECHANICAL CHARACTERISTIC

Terminal: Universal terminal, 2 x 0.5 mm

Contact material: Gold

Switching action: Maintained

Switching system:	Low-level element
Switching system:	This low-level switching element was designed for switching low powers in electronic circuits. The mechanism assures reliable switching of loads ranging from a few $\mu\text{A}/\mu\text{V}$ up to 100 mA/ 42 VAC/DC. Single-break momentary contact, as normally open or normally closed with 4 independent points of contact. 2 momentary contacts per switching element; combination of normally open and normally closed is possible. Special features are the long life, extremely short rebound time and stable contact resistance.
Mechanical lifetime:	1 Mio. cycles of operation
Operating force:	18 ... 21 N (depending on the switching element)
Operating Travel:	3 mm
Tightening torque:	Fixing nut max. 0.5 Nm
Weight:	0.011 kg

AMBIENT CONDITION

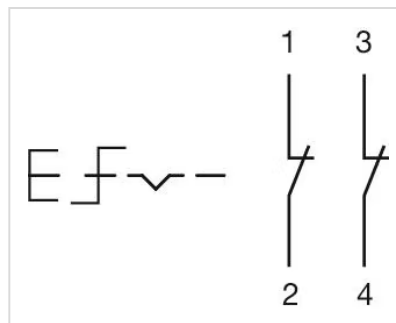
IP front protection:	IP65, according to DIN EN 60529
Operating temperature:	- 25 °C ... + 55 °C
Storage temperature:	- 40 °C ... + 85 °C

CERTIFICATE

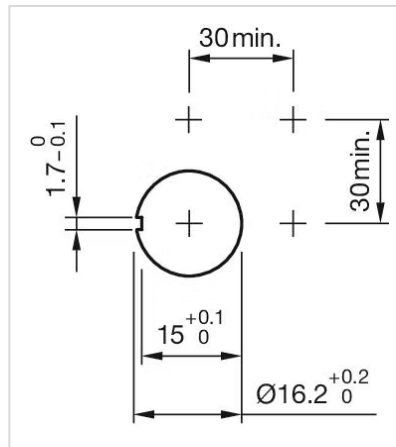
REACH:	REACH compliant
RoHS:	RoHS compliant

OTHER

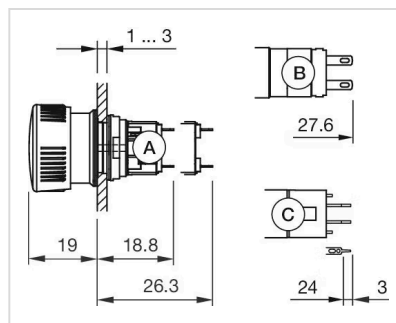
Short Description:	Actuator, \varnothing 24,5 mm, mushroom-head, non illuminative, Grey, Plastic, opaque, round, 2 NC, Maintained, Universal terminal, 2 x 0.5 mm, IP65, according to DIN EN 60529
Housing colour:	Black
Hints:	Marking arrows
Wiring diagrams:	



Mounting cut-outs:











Dimension drawings:



- A = Solder terminal
- B = Plug-in terminal 2.8 mm x 0.5 mm
- C = Universal terminal 2.0 mm x 0.5 mm

Where to Buy

	Distributor	Quantity in Stock	
	Farnell UK	515 in stock	Buy 
	element14 Singapore	413 in stock	Buy 
	RS Americas	23 in stock	Buy 
	DigiKey	10 in stock	Buy 
	Mouser Electronics	6 in stock	Buy 

[Show more](#) 

Powered by oemsecrets.com