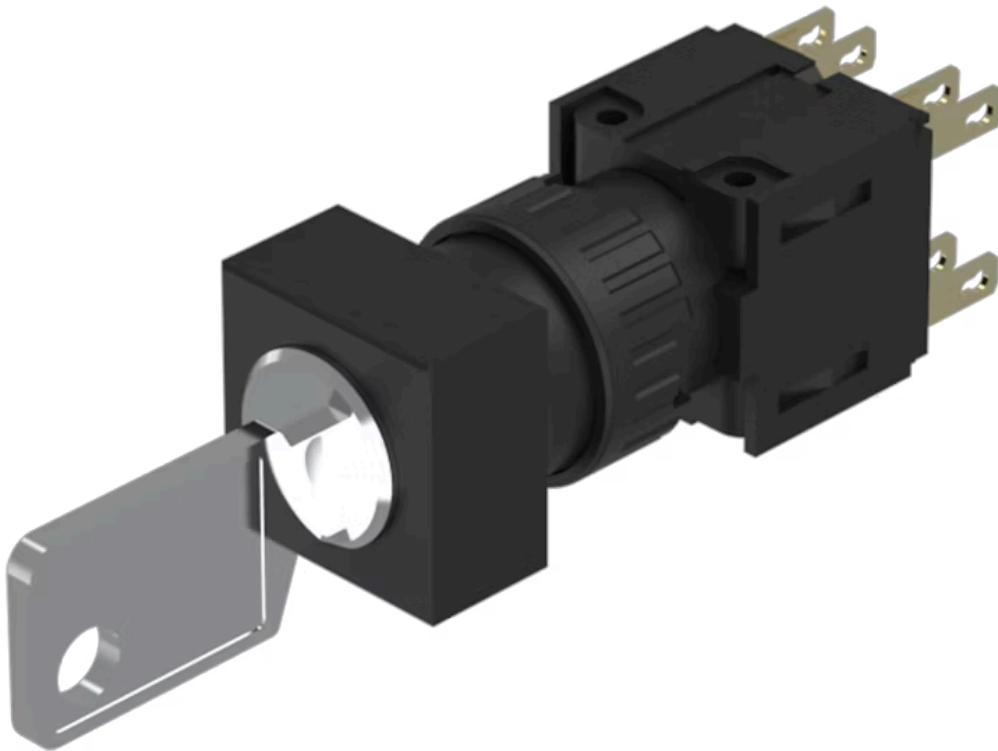


Actuator

51-
382.F22DF



<https://www.eao.com/p/51-382.F22DF>

Your product:



51-382.F22DF Actuator

FRONT

Front dimension: 18 mm x 18 mm

Front form: Square

MOUNTING

Design: Flush

Mounting cut-out: 21 mm x 21 mm

Mounting type: Panel mounting

ELECTRICAL CHARACTERISTICS

Switching voltage and switching current: 250 VAC, 5 A ($\cos\phi$ 0.75)

Contacts: 2 NC / 2 NO

Switching rating: 250 V @ 5 A

Electric strength: 2500 VAC, 50 Hz, 1 min. between all terminals and earth, according to IEC 61058-1, part 15

Electrostatic discharge (ESD): \leq 15 KV

Protection class: II

Thermal current I_{th}: 5 A, according to EN / IEC 60947-5-1

MECHANICAL CHARACTERISTIC

Terminal: Plug-in terminal, 2.8 x 0.5 mm

Contact material: Gold

Switching action: Maintained (a) - Rest (a) - Maintained (a)

Switching system: Snap-action switching element

Switching system:	Self-cleaning, double-break snap action switching system, 2 normally closed and 2 normally open contact per element.
Switching positions:	3 positions
Switching angle:	90° left / 90° right
Mechanical lifetime:	50 000 cycles of operation
Tightening torque:	Fixing nut max. 0.5 Nm
Wire cross section:	Max. wire cross-section 2 wires with 1 mm Max. wire cross-section of stranded cable 2 x 0.75 mm ²
Weight:	0.027 kg

AMBIENT CONDITION

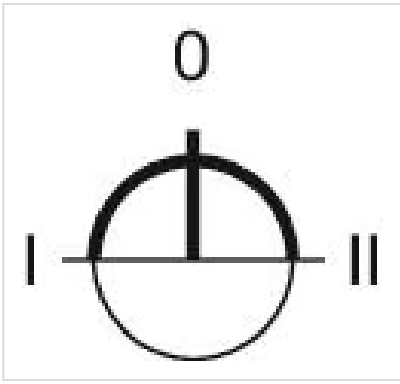
IP front protection:	IP65, according to DIN EN 60529
Operating temperature:	- 25 °C ... + 55 °C
Storage temperature:	- 40 °C ... + 85 °C

CERTIFICATE

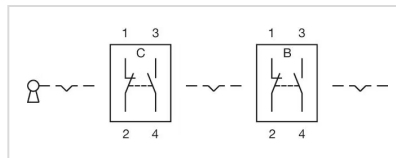
Approbations:	CB (IEC 61058-1), CQC, CSA, DNV, ENEC (EN 61058-1), UL
Conformities:	CE, UKCA, 2011 / 65 / EC (RoHS), 2014 / 30 / EU (EMC), 2014 / 35 / EU (LVD)
REACH:	REACH compliant
RoHS:	RoHS compliant

OTHER

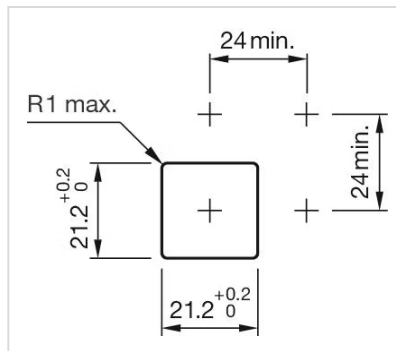
Short Description:	Actuator, 21 mm x 21 mm, 18 mm x 18 mm, Square, 2 NC / 2 NO, Maintained (a) - Rest (a) - Maintained (a), Plug-in terminal, 2.8 x 0.5 mm, IP65, according to DIN EN 60529
Housing colour:	Black
Hints:	Standard lock: DOM 311
max. number of switching elements:	1
Switching positions:	



Wiring diagrams:



Mounting cut-outs:



Dimension drawings:

