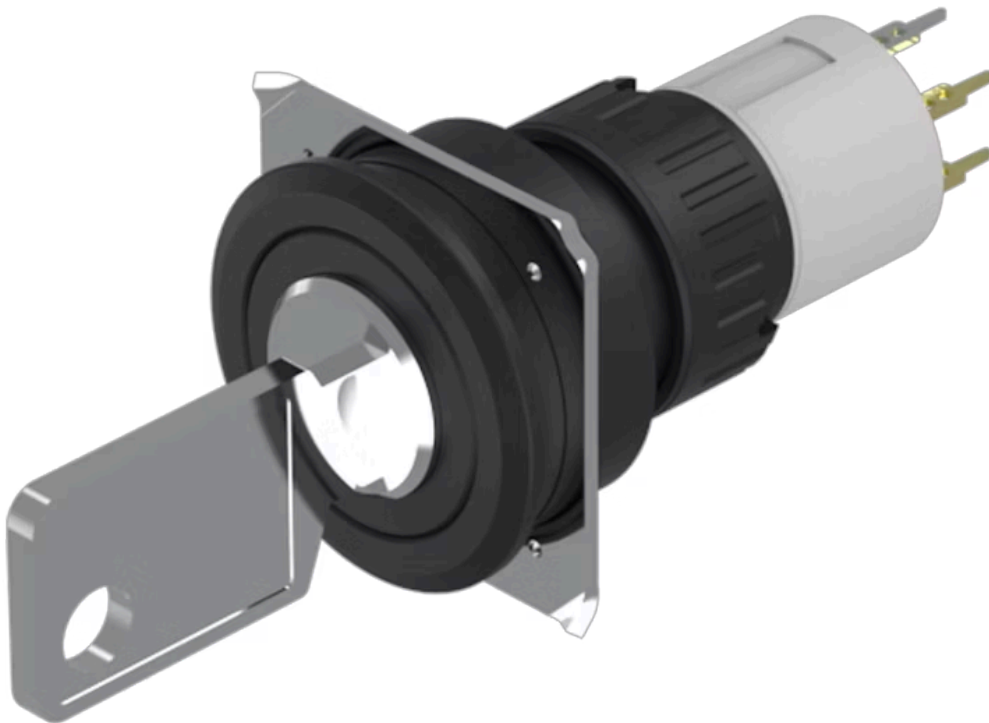


Actuator

51-
412.036DF



<https://eao.com/p/51-412.036DF>

Your product:



51-412.036DF Actuator

FRONT

Front dimension: Ø 25 mm

Front form: round

MOUNTING

Design: flush

Mounting type: Panel mounting

ELECTRICAL CHARACTERISTICS

Contacts: 1 NC / 1 NO

Switching voltage and switching current: 100 mA at 42 VAC/VDC

Switching rating: 42 V @ 0,1 A

Electric strength: 2500 VAC, 50 Hz, 1 min. between all terminals and earth, according to IEC 61058-1, part 15

Electrostatic discharge (ESD): ≤ 15 kV

MECHANICAL CHARACTERISTIC

Terminal: Universal terminal, 2 x 0.5 mm

Contact material: Gold

Switching action: Rest (a) - Maintained (a)

Switching system: Low-level element

Switching system: This low-level switching element was designed for switching low powers in electronic circuits. The mechanism assures reliable switching of loads ranging from a few $\mu\text{A}/\mu\text{V}$ up to 100 mA/ 42 VAC/DC. Single-break momentary contact, as normally open or normally closed with 4 independent points of contact. 2 momentary contacts per switching element;

combination of normally open and normally closed is possible.
Special features are the long life, extremely short rebound time and stable contact resistance.

| | |
|-----------------------------|----------------------------|
| Switching positions: | 2 positions |
| Switching angle: | 90° right |
| Mechanical lifetime: | 50 000 cycles of operation |
| Operating force: | 1,8 ... 3,5 N |
| Tightening torque: | Fixing nut max. 0.5 Nm |
| Weight: | 0.016 kg |

AMBIENT CONDITION

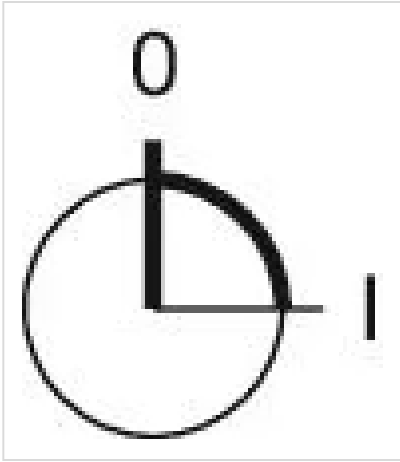
| | |
|-------------------------------|--|
| IP front protection: | IP65, according to DIN EN 60529 |
| Operating temperature: | - 25 °C ... + 55 °C |
| Storage temperature: | - 40 °C ... + 85 °C |
| Shock resistance: | 15 g for 11 ms, as per DIN / EN 60512-4-3, DIN / EN 60068-2-27 (Single impacts, semi-sinusoidal) |

CERTIFICATE

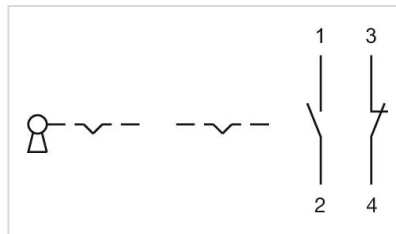
| | |
|---------------|-----------------|
| REACH: | REACH compliant |
| RoHS: | RoHS compliant |

OTHER

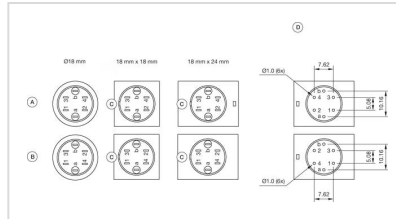
| | |
|-----------------------------|---|
| Short Description: | Actuator, Ø 25 mm, round, 1 NC / 1 NO, Rest (a) - Maintained (a), Universal terminal, 2 x 0.5 mm, IP65, according to DIN EN 60529 |
| Housing colour: | Black |
| Hints: | Standard lock: DOM 311 |
| Switching positions: | |



Wiring diagrams:

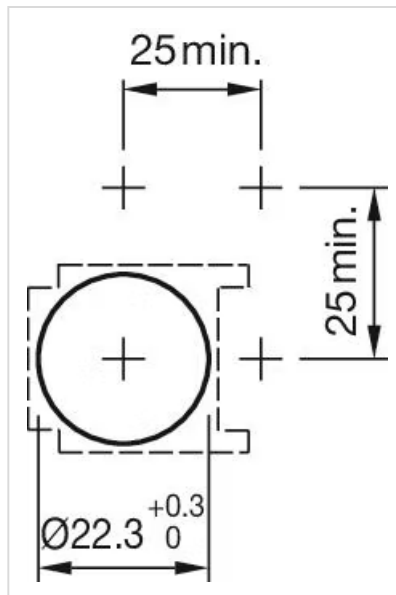


Component layouts:



- A = Universal terminal (rear side)
- B = Plug-in terminal (rear side)
- C = Anti twist device
- D = Drilling plan

Mounting cut-outs:



Dimension drawings:



A = Solder terminal

B = Solder terminal 2.8 mm x 0.5 mm

C = Universal terminal 2.0 mm x 0.5 mm