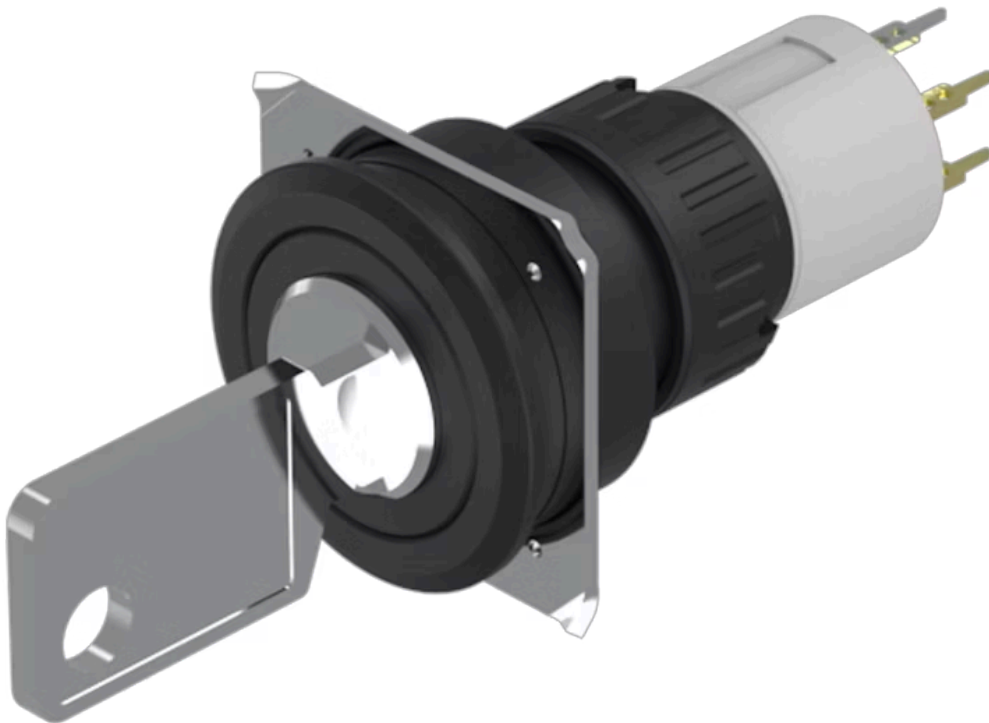


# Actuator

51-  
437.036DF



<https://eao.com/p/51-437.036DF>

Your product:

---



## 51-437.036DF Actuator

### FRONT

**Front dimension:** Ø 25 mm

**Front form:** round

### MOUNTING

**Design:** flush

**Mounting type:** Panel mounting

### ELECTRICAL CHARACTERISTICS

**Contacts:** 2 NO

**Switching voltage and switching current:** 100 mA at 42 VAC/VDC

**Switching rating:** 42 V @ 0,1 A

**Electric strength:** 2500 VAC, 50 Hz, 1 min. between all terminals and earth, according to IEC 61058-1, part 15

**Electrostatic discharge (ESD):** ≤ 15 kV

### MECHANICAL CHARACTERISTIC

**Terminal:** Universal terminal, 2 x 0.5 mm

**Contact material:** Gold

**Switching action:** Rest (a) - Momentary

**Switching system:** Low-level element

**Switching system:** This low-level switching element was designed for switching low powers in electronic circuits. The mechanism assures reliable switching of loads ranging from a few  $\mu\text{A}/\mu\text{V}$  up to 100 mA/ 42 VAC/DC.  
Single-break momentary contact, as normally open or normally closed with 4 independent points of contact. 2 momentary contacts per switching element;

combination of normally open and normally closed is possible.  
Special features are the long life, extremely short rebound time and stable contact resistance.

<b>Switching positions:</b>	2 positions
<b>Switching angle:</b>	42° right
<b>Mechanical lifetime:</b>	50 000 cycles of operation
<b>Operating force:</b>	1,8 ... 3,5 N
<b>Tightening torque:</b>	Fixing nut max. 0.5 Nm
<b>Weight:</b>	0.016 kg

### **AMBIENT CONDITION**

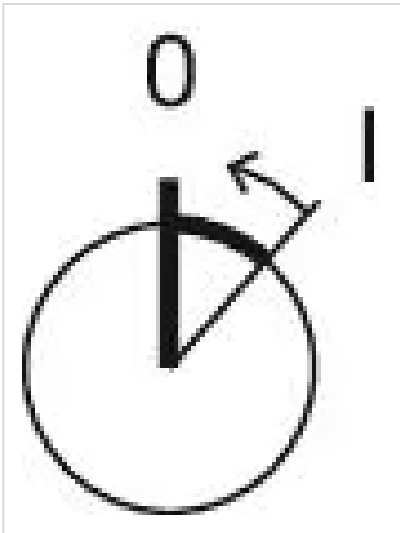
<b>IP front protection:</b>	IP65, according to DIN EN 60529
<b>Operating temperature:</b>	- 25 °C ... + 55 °C
<b>Storage temperature:</b>	- 40 °C ... + 85 °C
<b>Shock resistance:</b>	15 g for 11 ms, as per DIN / EN 60512-4-3, DIN / EN 60068-2-27 (Single impacts, semi-sinusoidal)

### **CERTIFICATE**

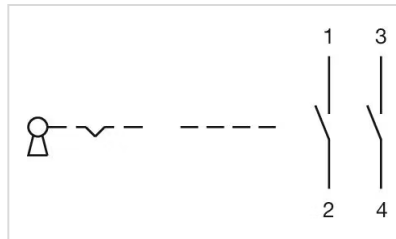
<b>REACH:</b>	REACH compliant
<b>RoHS:</b>	RoHS compliant

### **OTHER**

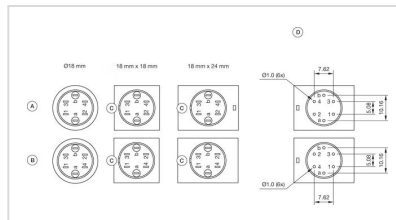
<b>Short Description:</b>	Actuator, Ø 25 mm, round, 2 NO, Rest (a) - Momentary, Universal terminal, 2 x 0.5 mm, IP65, according to DIN EN 60529
<b>Housing colour:</b>	Black
<b>Hints:</b>	Standard lock: DOM 311
<b>Switching positions:</b>	



**Wiring diagrams:**

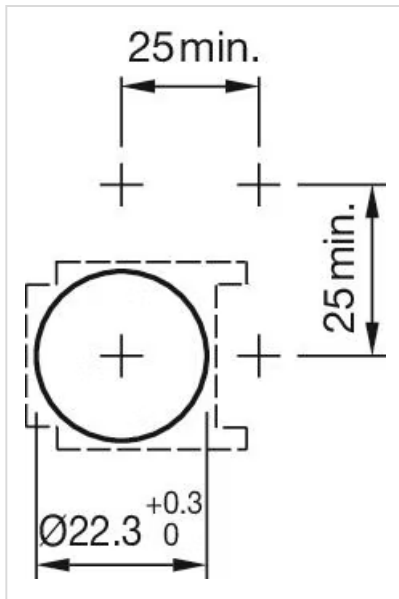


**Component layouts:**

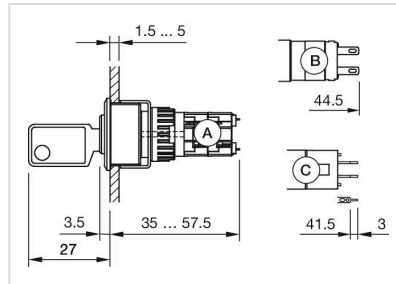


- A = Universal terminal (rear side)
- B = Plug-in terminal (rear side)
- C = Anti twist device
- D = Drilling plan

**Mounting cut-outs:**



**Dimension drawings:**



- A = Solder terminal
- B = Solder terminal 2.8 mm x 0.5 mm
- C = Universal terminal 2.0 mm x 0.5 mm