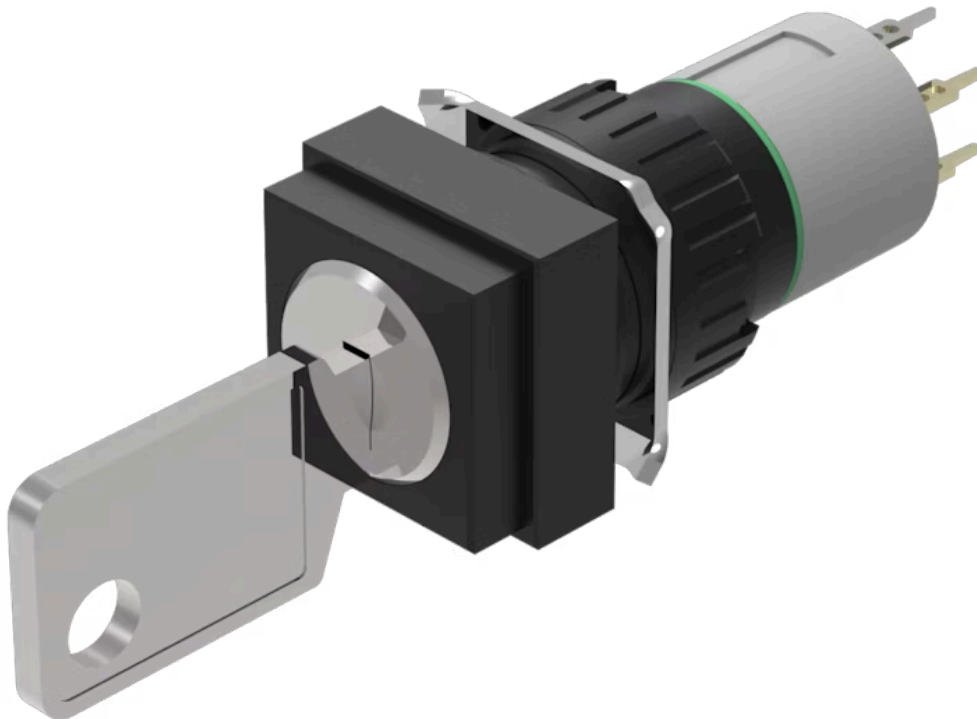


# Actuator

51-  
457.036D



<https://eao.com/p/51-457.036D>

Your product:

---



## 51-457.036D Actuator

### FRONT

|                         |               |
|-------------------------|---------------|
| <b>Front dimension:</b> | 18 mm x 18 mm |
| <b>Front form:</b>      | square        |

### MOUNTING

|                       |                |
|-----------------------|----------------|
| <b>Design:</b>        | raised         |
| <b>Mounting type:</b> | Panel mounting |

### ELECTRICAL CHARACTERISTICS

|   |  |
|---|--|
| <b>Contacts:</b>                                | 2 NO   |
| <b>Switching voltage and switching current:</b> | 100 mA at 42 VAC/VDC   |
| <b>Switching rating:</b>                        | 42 V @ 0,1 A   |
| <b>Electric strength:</b>                       | 2500 VAC, 50 Hz, 1 min. between all terminals and earth, according to IEC 61058-1, part 15 |
| <b>Electrostatic discharge (ESD):</b>           | ≤ 15 KV  |

### MECHANICAL CHARACTERISTIC

|                          |   |
|--------------------------|---|
| <b>Terminal:</b>         | Universal terminal, 2 x 0.5 mm  |
| <b>Contact material:</b> | Gold  |
| <b>Switching action:</b> | Rest (a) - Momentary  |
| <b>Switching system:</b> | Low-level element   |
| <b>Switching system:</b> | This low-level switching element was designed for switching low powers in electronic circuits. The mechanism assures reliable switching of loads ranging from a few $\mu\text{A}/\mu\text{V}$ up to 100 mA/ 42 VAC/DC.<br>Single-break momentary contact, as normally open or normally closed with 4 independent points of contact. 2 momentary contacts per switching element; |

combination of normally open and normally closed is possible.  
Special features are the long life, extremely short rebound time and stable contact resistance.

|                             |                            |
|-----------------------------|----------------------------|
| <b>Switching positions:</b> | 2 positions                |
| <b>Switching angle:</b>     | 42° right                  |
| <b>Mechanical lifetime:</b> | 50 000 cycles of operation |
| <b>Operating force:</b>     | 1,8 ... 3,5 N              |
| <b>Tightening torque:</b>   | Fixing nut max. 0.5 Nm     |
| <b>Weight:</b>              | 0.016 kg                   |

### **AMBIENT CONDITION**

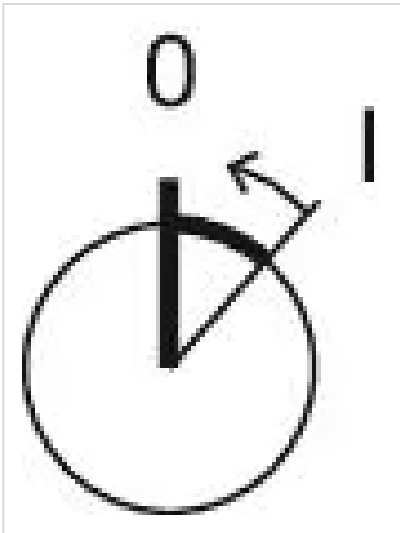
|                               |  |
|-------------------------------|--|
| <b>IP front protection:</b>   | IP65, according to DIN EN 60529  |
| <b>Operating temperature:</b> | - 25 °C ... + 55 °C  |
| <b>Storage temperature:</b>   | - 40 °C ... + 85 °C  |
| <b>Shock resistance:</b>      | 15 g for 11 ms, as per DIN / EN 60512-4-3, DIN / EN 60068-2-27 (Single impacts, semi-sinusoidal) |

### **CERTIFICATE**

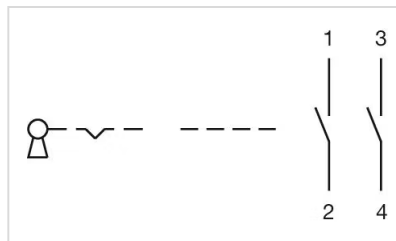
|                      |  |
|----------------------|--|
| <b>Approbations:</b> | CB (IEC 61058-1), CQC, CSA, DNV, ENEC (EN 61058-1), UL |
| <b>REACH:</b>        | REACH compliant  |
| <b>RoHS:</b>         | RoHS compliant   |

### **OTHER**

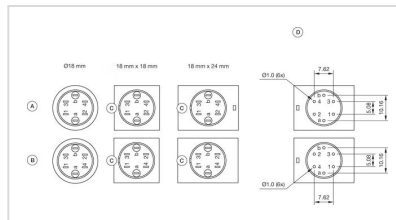
|                             |  |
|-----------------------------|--|
| <b>Short Description:</b>   | Actuator, 18 mm x 18 mm, square, 2 NO, Rest (a) - Momentary, Universal terminal, 2 x 0.5 mm, IP65, according to DIN EN 60529 |
| <b>Housing colour:</b>      | Black  |
| <b>Hints:</b>               | Standard lock: DOM 311   |
| <b>Switching positions:</b> |  |



**Wiring diagrams:**

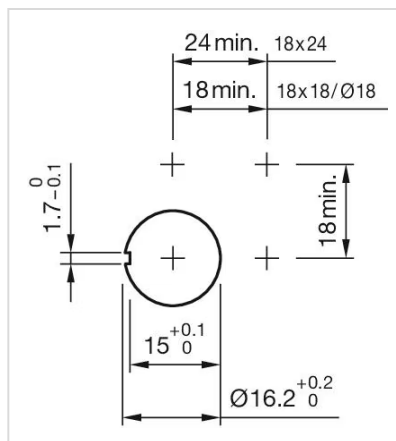


**Component layouts:**



- A = Universal terminal (rear side)
- B = Plug-in terminal (rear side)
- C = Anti twist device
- D = Drilling plan

**Mounting cut-outs:**



**Dimension drawings:**



A = Solder terminal

B = Plug-in terminal 2.8 mm x 0.5 mm

C = Universal terminal 2.0 mm x 0.5 mm