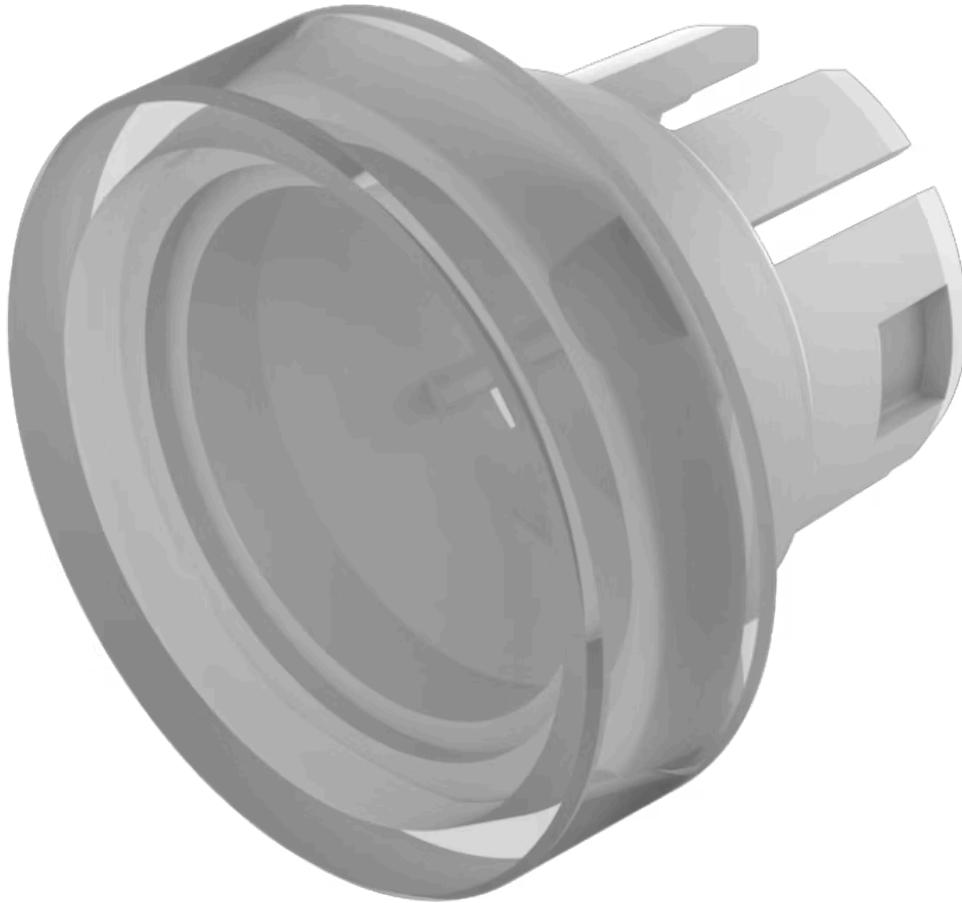


Lens

51-
931.0



<https://eao.com/p/51-931.0>

Your product:



51-931.0 Lens

FRONT

Front form: round

OPERATING-/INDICATION PART

Lens colour: Black

Lens material: Plastic

Lens illumination: non illuminative

Lens shape: flush

Lens optics: opaque

MECHANICAL CHARACTERISTIC

Weight: 0.001 kg

CERTIFICATE

REACH: REACH compliant

RoHS: RoHS compliant

OTHER

Short Description: Lens, Ø 15.8 mm, non illuminative, Black, flush, Plastic

Dimension: Ø 15.8 mm